

4

3

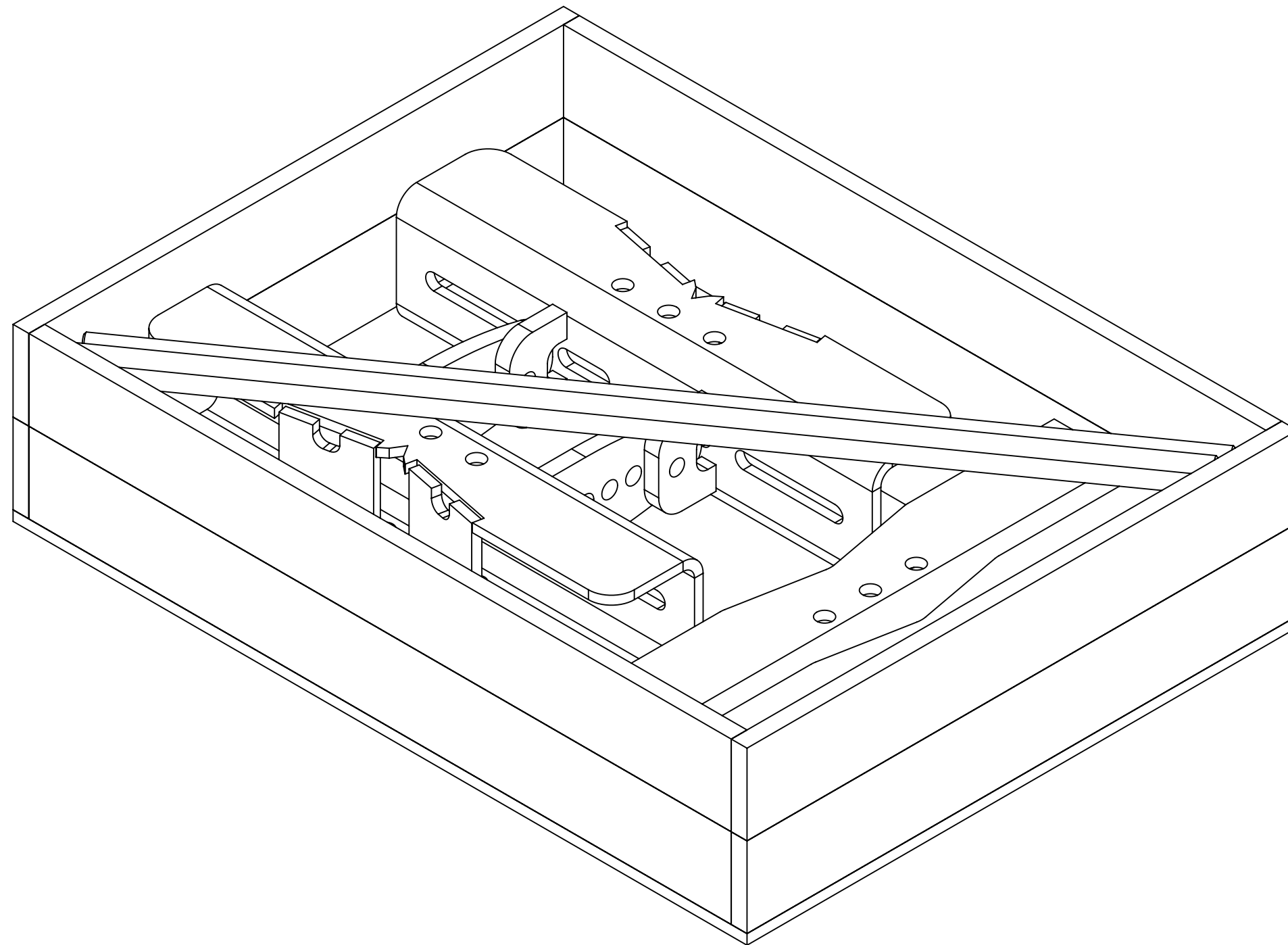
2

1

NOTES:

- 1.0 GENERAL
  - 1.1 ALL METRIC DIMENSIONS ARE IN BRACKETS
  - 1.2 MARK PART WITH IDENTIFICATION NUMBER.
  - 1.3 FOR PATENT INFO :<https://www.cs-pat.com>
- 2.0 DESIGN NOTES
  - 2.1 DESIGN SURVIVAL WIND SPEED: 150 MPH, 3 SEC GUST WITH EQUIPMENT MOUNTED AS SHOWN.
- 3.0 MANUFACTURING/SPECIAL REQUIREMENTS
  - 3.1 TORQUE HARDWARE ACCORDING TO SIZE AS NOTED BELOW.
    - .25"-20: TORQUE 40 IN-LB
    - .38"-16: TORQUE 12 FT-LB
  - ALL BOLTS 1/2" DIAMETER OR LARGER SHALL BE TIGHTENED SNUG TIGHT, DEFINED AS THE CONDITION OBTAINED WITH A FEW IMPACTS OF AN IMPACT WRENCH OR THE FULL EFFORT OF AN IRONWORKER USING AN ORDINARY SPUD WRENCH TO BRING THE CONNECTED PLIES INTO FIRM CONTACT.
- 4.0 TEST
- 5.0 PACKAGING
  - 5.1 PACKAGING SHALL MEET COMMSCOPE REQUIREMENTS PER DOCUMENT IS-PL-3005.
  - 5.2 PRINTED DOCUMENT TO BE PLACED INSIDE POLYBAG AND THEN IN SHIPPING CRATE.
  - 5.3 EXTRA HARDWARE MAY BE SUPPLIED, BAGGED AND SHIPPED.

REVISIONS				
REV.	ECN	DESCRIPTION	BY	DATE
A	8000042997	INITIAL RELEASE	RJC	12/16/20
B	11306	ADDED INSTALLATION INFO ON SHEET 4	RJC	3/25/2021



ITEM	PART NO.	DESCRIPTION	QTY.	NOTE NO.
1	SFG2390	BRACKET, LARGE LEG MOUNT BACK CLAMP	2	
2	SFG2392	WELDMENT, LARGE LEG TOP TAPER BRACKET	1	
3	SFG2394	WELDMENT, LARGE LEG LOWER MTG BRACKET	1	
4	GWL-05	5/8" GALV LOCK WASHER	8	
5	GN-05	5/8" GALV HEX NUT	12	
6	GWF-05	5/8" GALV FLAT WASHER, 1.7OD	8	
7	MT-382-36	5/8" X 36" GALV THREADED ROD	4	
8	CR272407	WOOD CRATE 30.5 X 22.50 X 7	1	

DENSITY		lbs/in <sup>3</sup>
MASS	129.70	lbs
VOLUME	1287.42	in <sup>3</sup>
SURFACE AREA	5904.32	in <sup>2</sup>
HEIGHT	7.0	
LENGTH	32.0	
WIDTH	24.0	

<b>COMMSCOPE, INC. OF NORTH CAROLINA</b>										
TOLERANCES					SAP MATERIAL MASTER					
0 PLACE X ± .25		2 PLACE .XX ± 0.06			<b>SFG2393-LLHK</b>					
1 PLACE .X ± 0.12		ANGLES ± 2°								
FINISH GALV A123					MATERIAL A1011/A1018					
UNLESS OTHERWISE SPECIFIED DIMENSIONS ARE IN INCHES INTERPRET PER ANSI Y 14.5M-1994	CE	RJC	10/05/20	<b>KIT, LARGE LEG MOUNTING HARDWARE</b>						
	RW	BCAMPBELLCON	03/31/2021							
	RV									
	AD	MC1107	03/31/2021							
	RE	BCROSS	04/01/2021							
ECN 008000042997			SCALE <b>1:4</b>	DOCUMENT NO. <b>SFG2393-LLHK</b>						
SIZE	WORK AREA	24	MODEL			DRAWING				SHEET 1 OF 4
C		VERSION	STATUS	REVISION	VERSION	STATUS	REVISION			
		00	RE	A	00	RE	B			

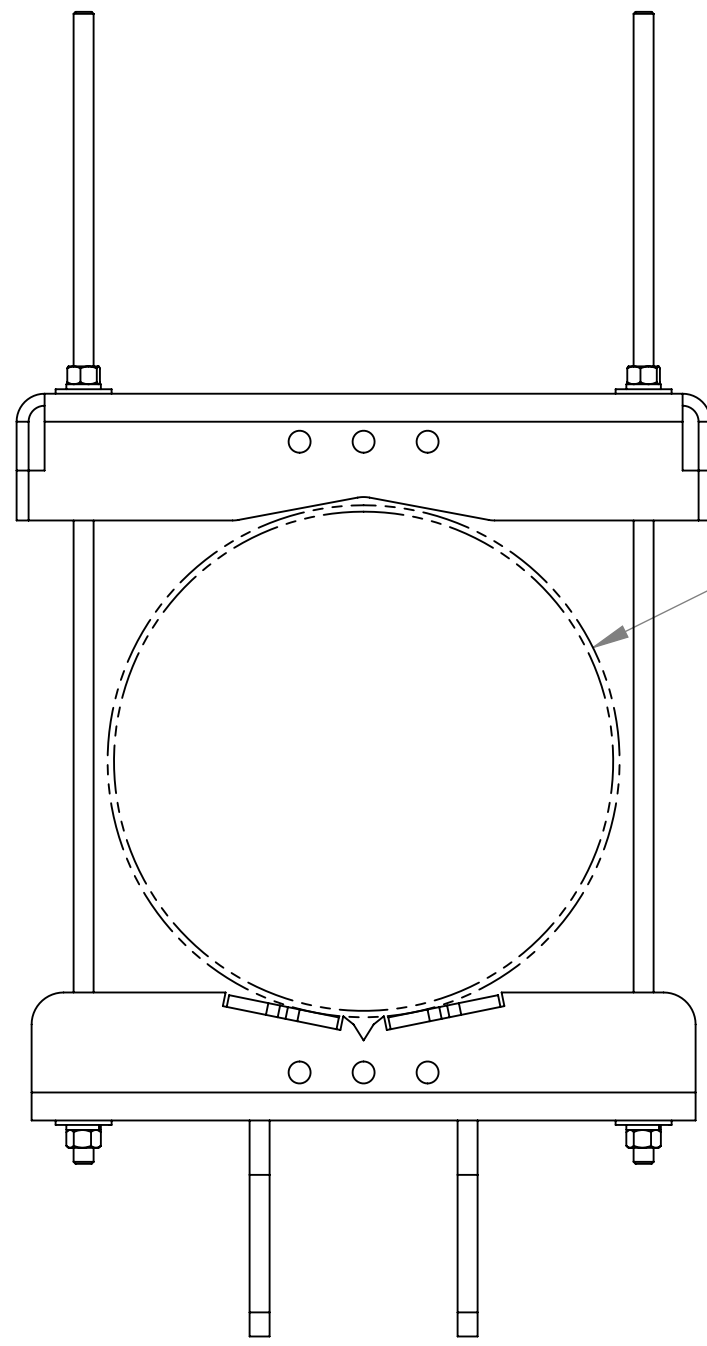
4

3

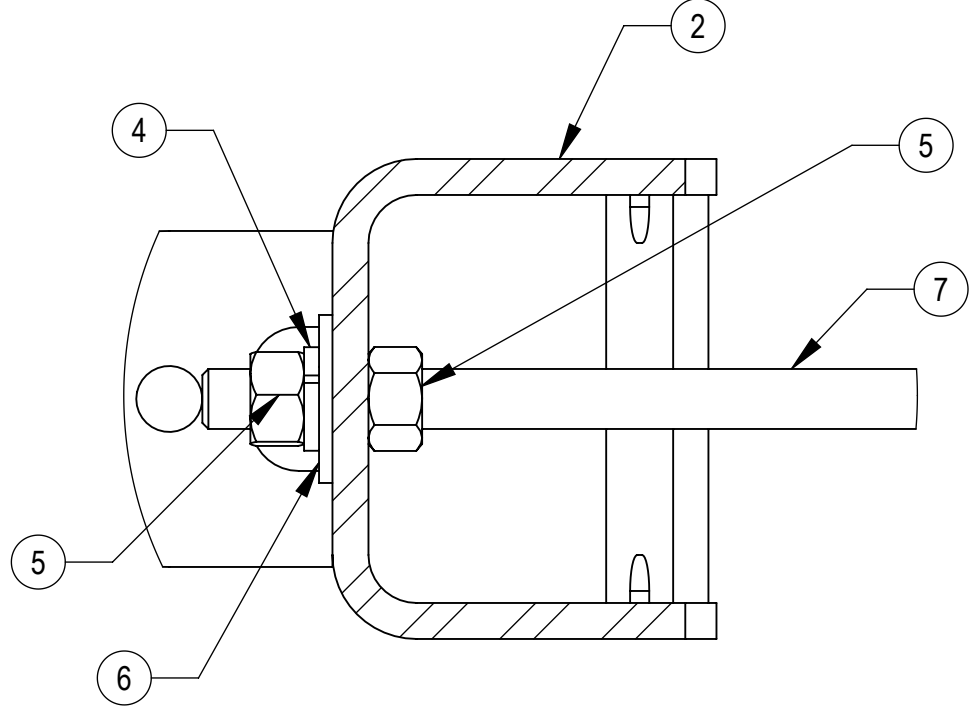
2

1

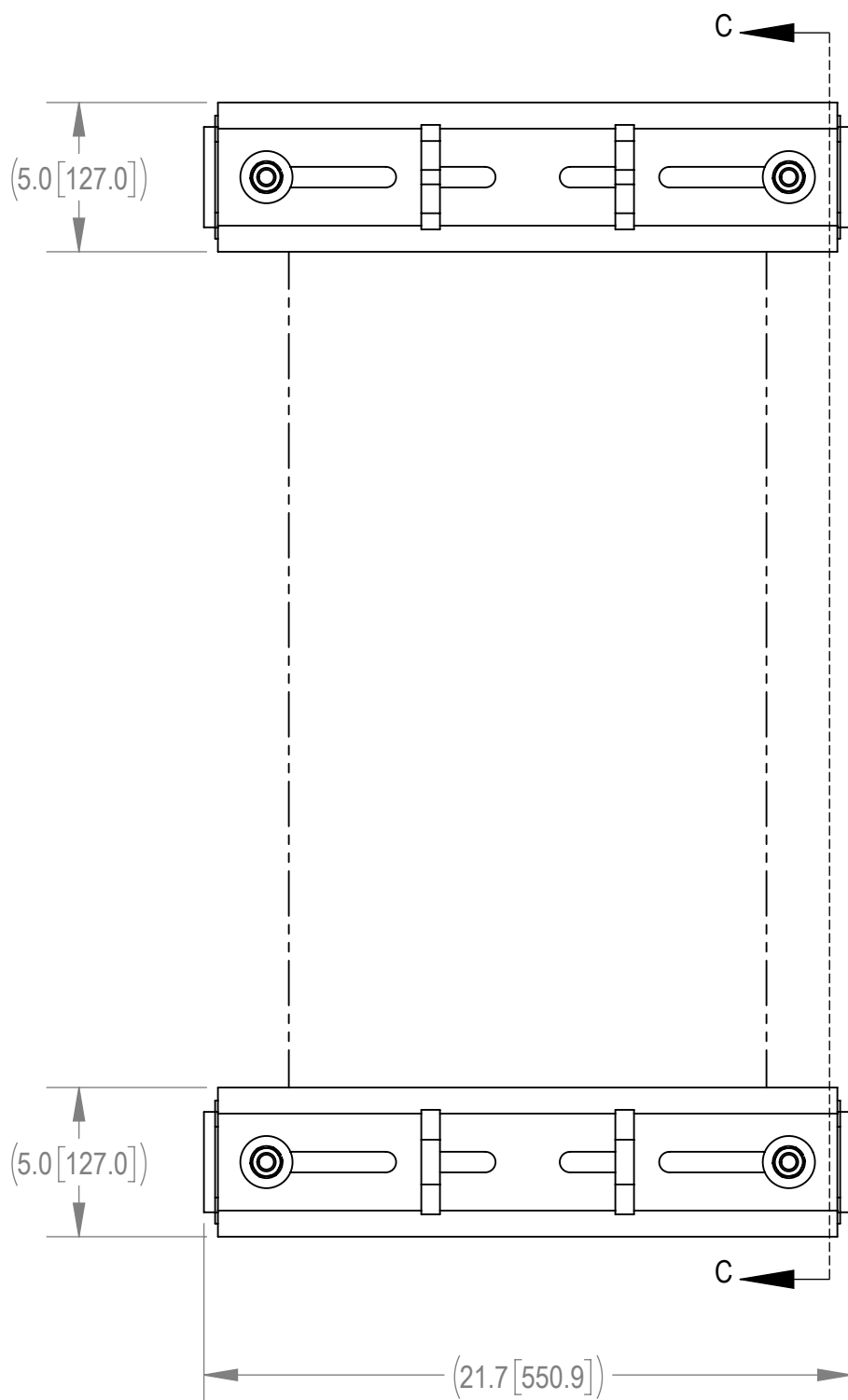
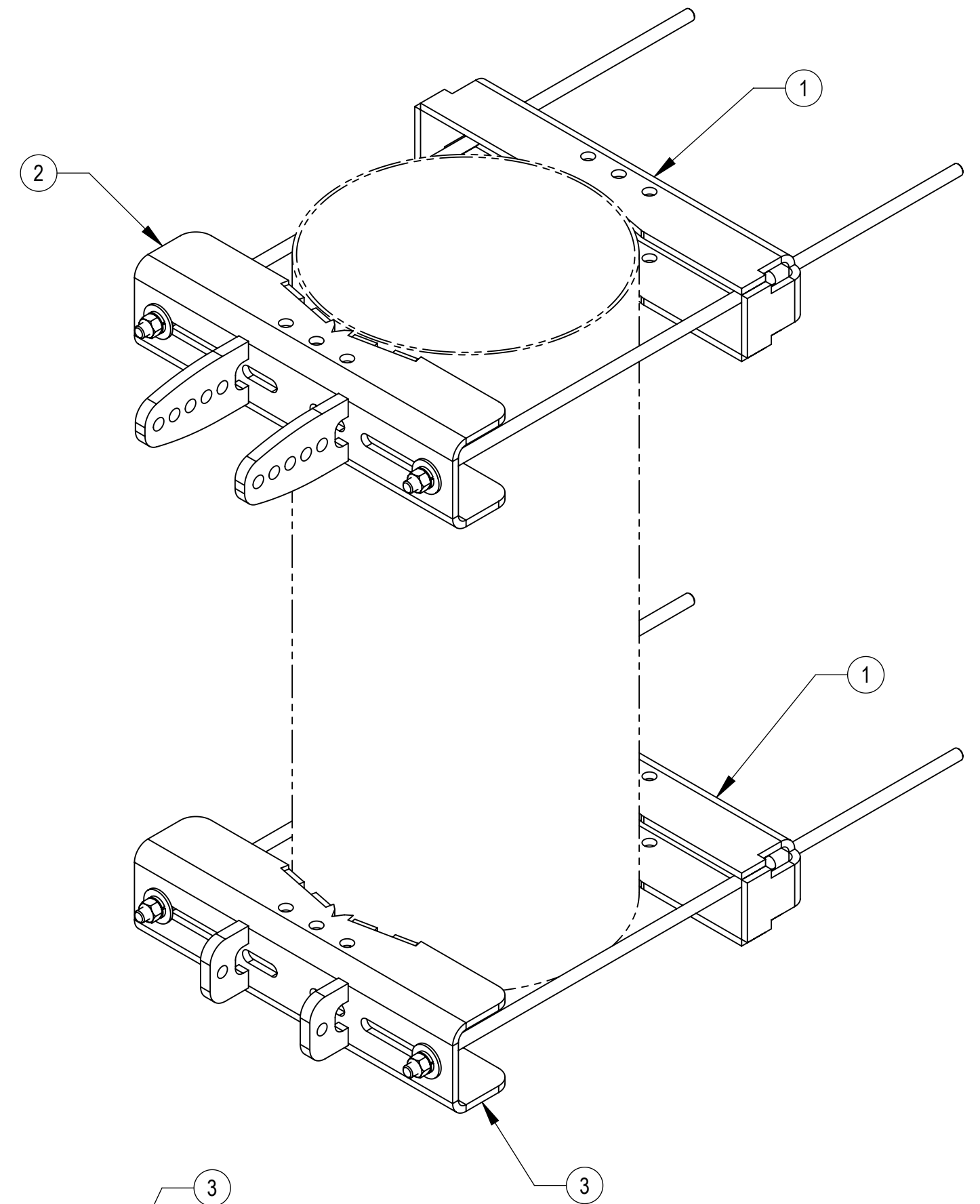
NOTES:



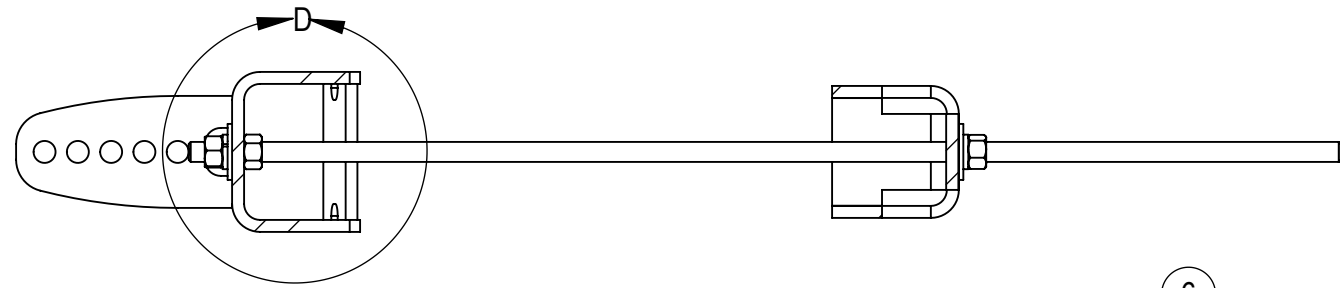
FITS UP TO  $\varnothing 16.00 [406.4]$  MAX



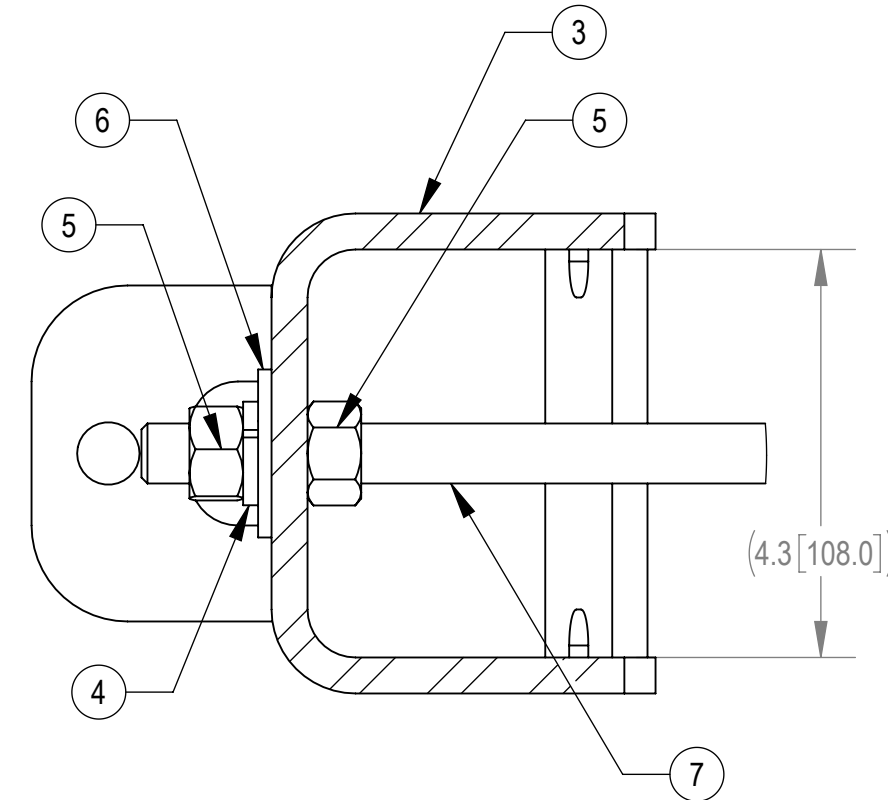
DETAIL D  
SCALE 1:2



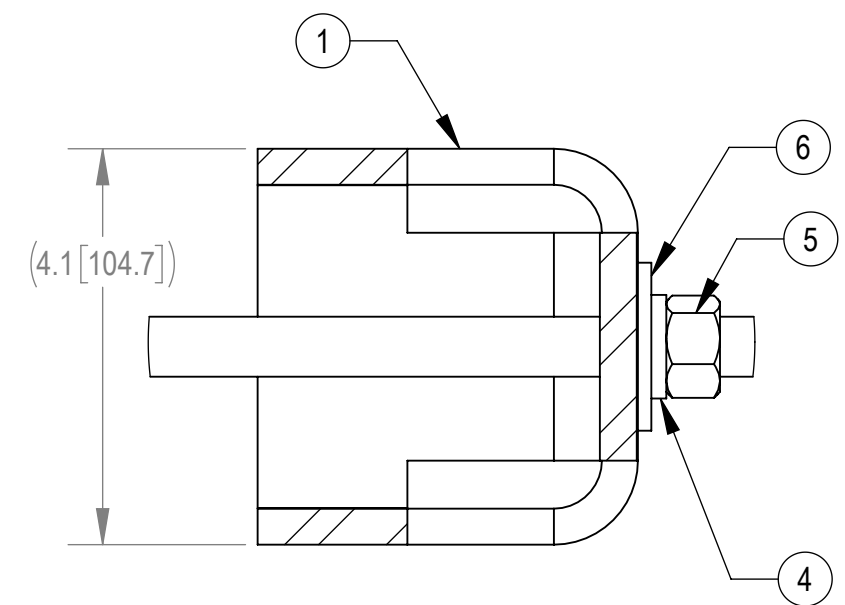
ADJUSTABLE TO NECESSARY HEIGHT



SECTION C-C



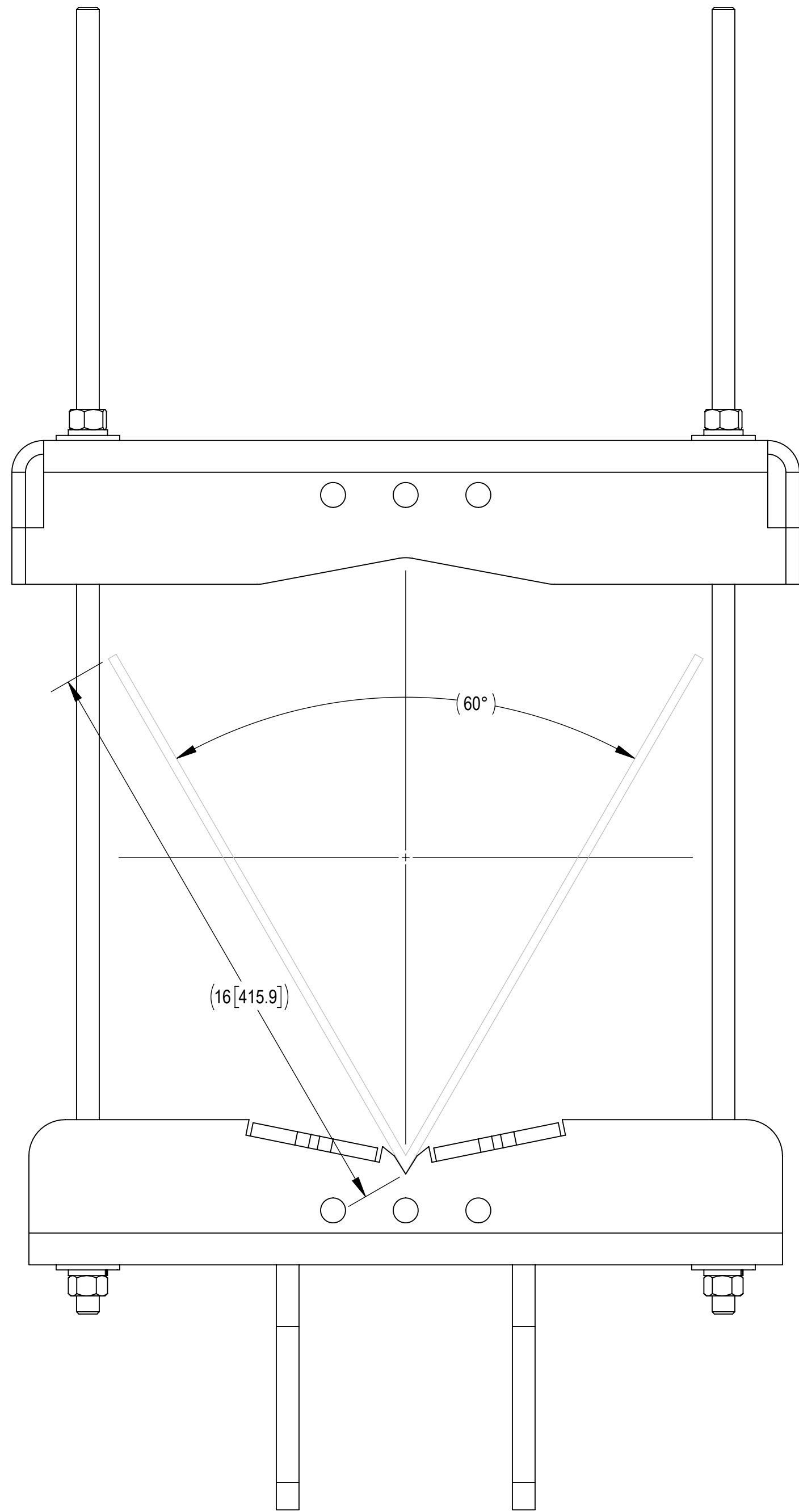
DETAIL E  
SCALE 1:2



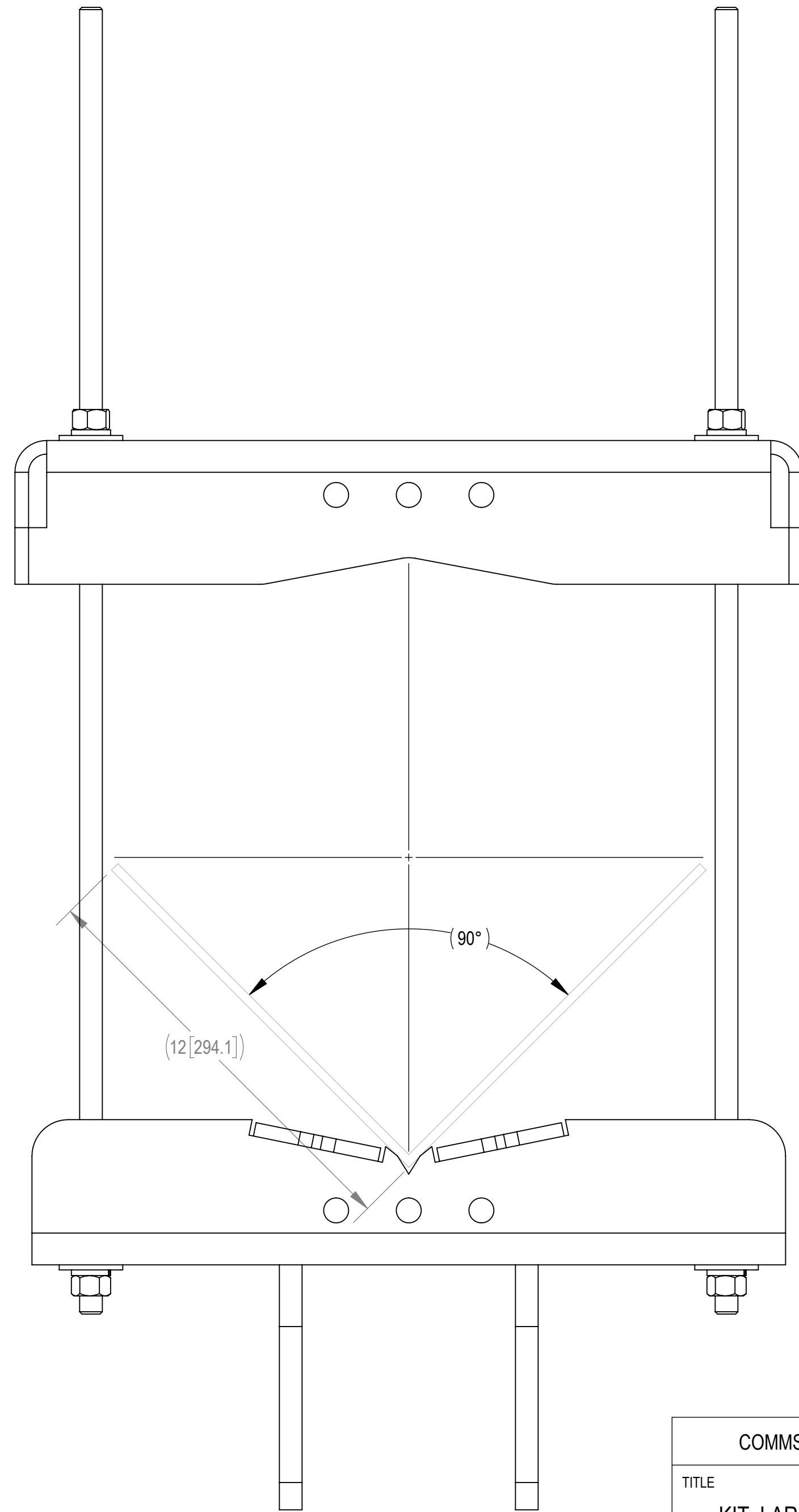
DETAIL F  
SCALE 1:2

COMMSCOPE, INC. OF NORTH CAROLINA				
TITLE KIT, LARGE LEG MOUNTING HARDWARE				
SIZE <b>C</b>	SCALE <b>1:6</b>	DOCUMENT NO. <b>SFG2393-LLHK</b>		
		DRAWING		SHEET
		VERSION	STATUS	REVISION
		03	RE	B
				2 OF 4

NOTES:

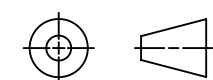


MOUNTING ON A 60° ANGLE



MOUNTING ON A 90° ANGLE

COMMSCOPE, INC. OF NORTH CAROLINA				
TITLE KIT, LARGE LEG MOUNTING HARDWARE				
SIZE <b>C</b>	SCALE <b>1:3</b>	DOCUMENT NO. <b>SFG2393-LLHK</b>		
		DRAWING		SHEET
		VERSION	STATUS	REVISION
		03	RE	B
				3 OF 4



D

C

B

A

4

3

2

1

4

3

2

1

4

3

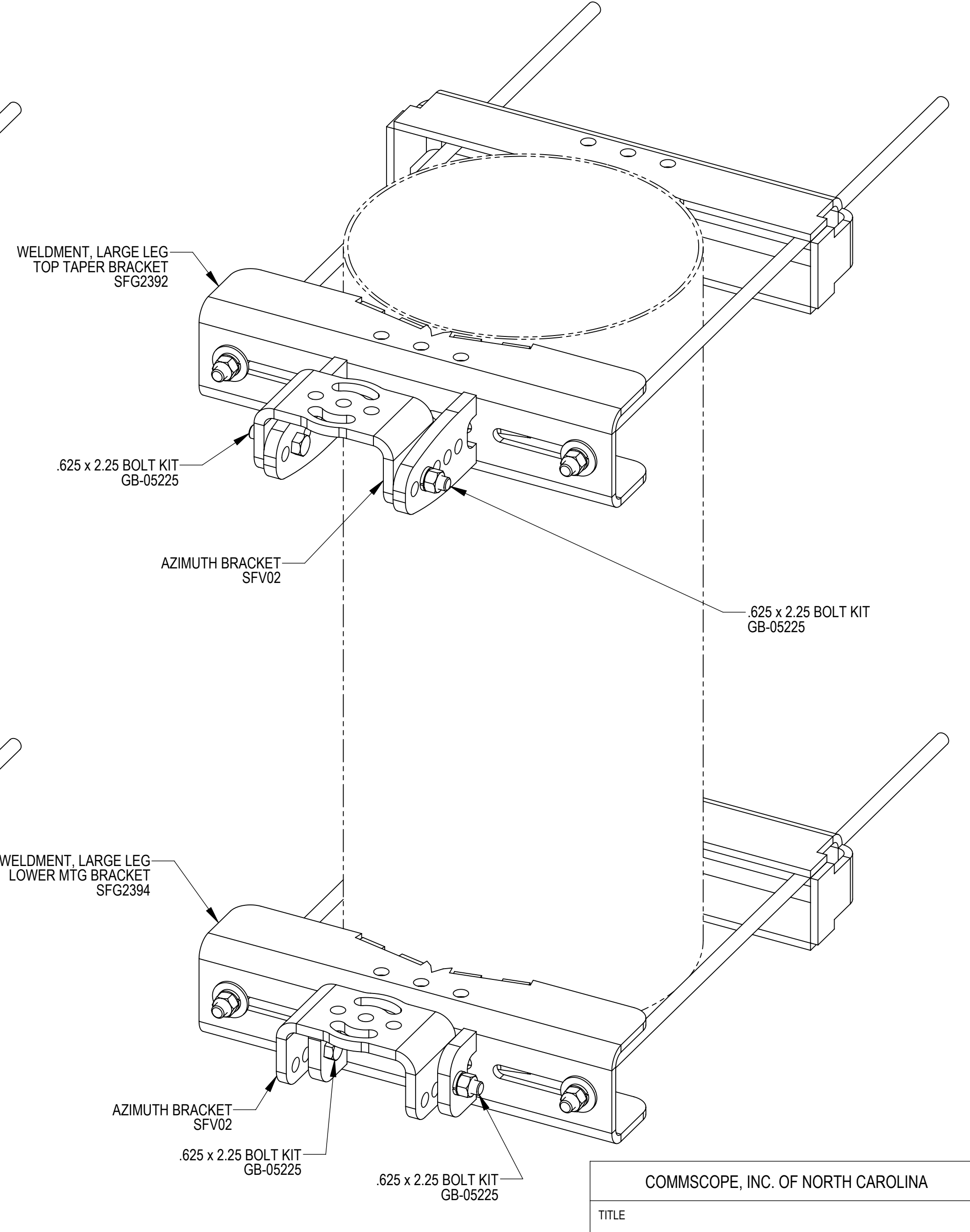
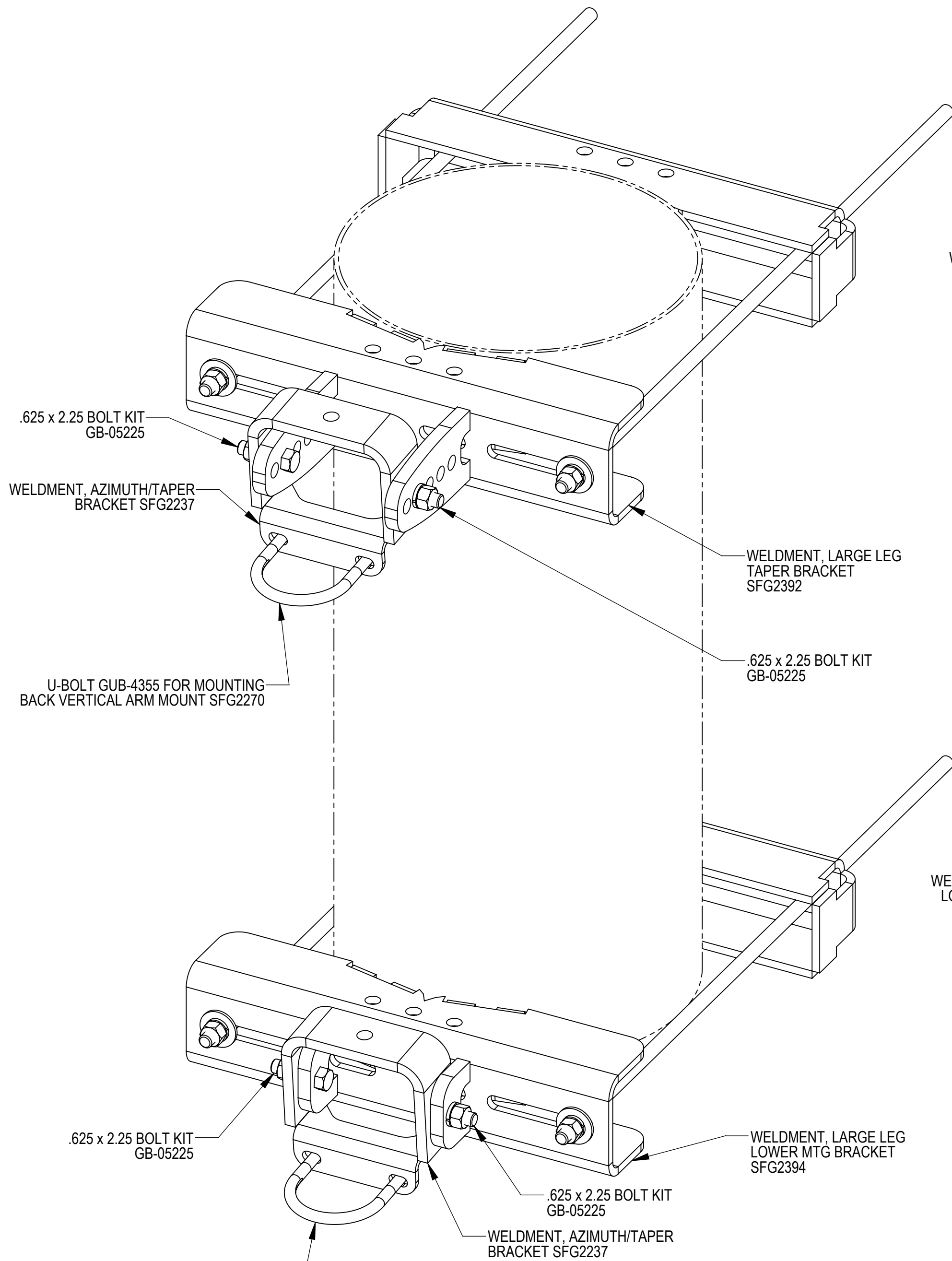
2

1

NOTES:

### MOUNTING CONFIGURATION FOR SFG2C

### MOUNTING CONFIGURATION FOR SFG2A AND SFG2B



**NOTE: THESE VIEWS ARE FOR INSTALLATION PURPOSES.  
 ALL COMPONENTS ARE NOT SUPPLIED WITH SFG2393-LLHK.  
 THEY ARE PART OF THE ASSEMBLIES THAT WILL  
 ATTACH TO THE LARGE LEG KIT(SFG2393-LLHK).**

COMMSCOPE, INC. OF NORTH CAROLINA				
TITLE KIT, LARGE LEG MOUNTING HARDWARE				
SIZE <b>C</b>	SCALE <b>1:4</b>	DOCUMENT NO. <b>SFG2393-LLHK</b>		
		DRAWING		SHEET
		VERSION 03	STATUS RE	REVISION B
				4 OF 4

4

3

2

1