

Directional Coupler 500 W

DESCRIPTION

- Amphenol directional couplers are designed to give optimum performance between 380 - 2700 MHz.
- Achieving PIM @ -153 dBc, IP 65 rating, makes them ideal for indoor or outdoor environments.
- Standard coupling values of 3, 6, 10, 15, 20, and 30 dB are available.
- Connector configurations of 7/16 DIN-Female.



ORDERING

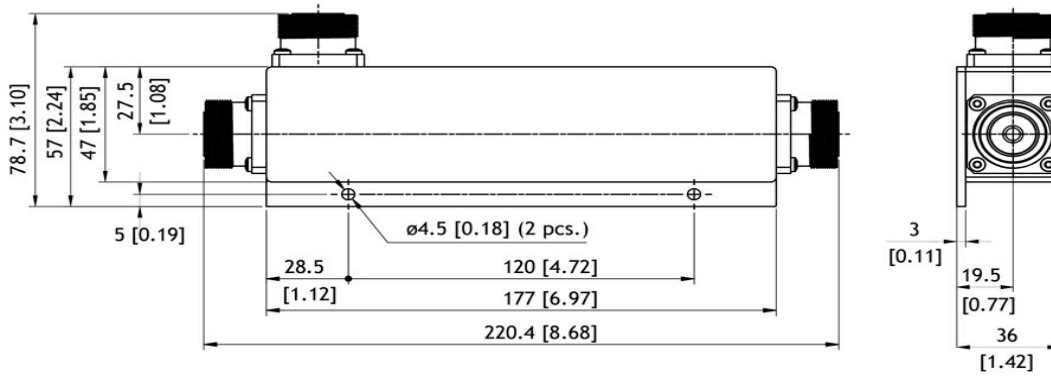
Model	Product No.	Frequency
3dB Coupling	ADC-03-WBS-LP-DF-CC	380 - 2700 MHz
6dB Coupling	ADC-06-WBS-LP-DF-CC	380 - 2700 MHz
10dB Coupling	ADC-10-WBS-LP-DF-CC	380 - 2700 MHz
15dB Coupling	ADC-15-WBS-LP-DF-CC	380 - 2700 MHz
20dB Coupling	ADC-20-WBS-LP-DF-CC	380 - 2700 MHz
30dB Coupling	ADC-30-WBS-LP-DF-CC	380 - 2700 MHz

SPECIFICATIONS

Electrical						
Frequency	380 - 2700 MHz					
Max. Input Power	500 W					
Peak Input Power	1.5 kW					
Coupling	3 dB	6 dB	10 dB	15 dB	20 dB	30 dB
Coupling Tolerance	+/- 1.2 dB					
Insertion Loss	≤ 3.6 dB	≤ 1.7 dB	≤ 0.7 dB	≤ 0.4 dB	≤ 0.3 dB	≤ 0.2 dB
Impedance	50 Ω					
Application	Indoor / Outdoor					
Isolation	≥ 23 dB	≥ 26 dB	≥ 30 dB	≥ 35 dB	≥ 40 dB	≥ 50 dB
VSWR	< 1.25:1					
Passive Intermodulation	< -153 dBc (2 x 43 dBm)					
Dissipative Loss	≤ 0.2 dB	≤ 0.15 dB	≤ 0.1 dB	≤ 0.1 dB	≤ 0.1 dB	≤ 0.1 dB
Mechanical						
Plating	Silver / Trimetal					
Connection(s)	7/16 DIN(f)					
Colour	Black					
Weight	0.88 kg / 1.94 lb					
RoHS Compliant	Yes					
Mounting	4.5mm dia. (two holes)					
Environmental						
Operating temperature range	-35°C to +70°C					
Humidity	< 95%					
Ingress Protection	IP65					

ADDITIONAL DATA

MOUNTING DETAILS



All dimensions are given in mm [in.]

