

1. INTERFACE DIMENSIONS CONFORMABLE TO THE STANDARDS: IEC 60169

REVISIONS			
REV.	DESCRIPTION	DATE	APPROVED
1	initial	12/23/2015	Chad

2. MATERIAL AND PLATING:

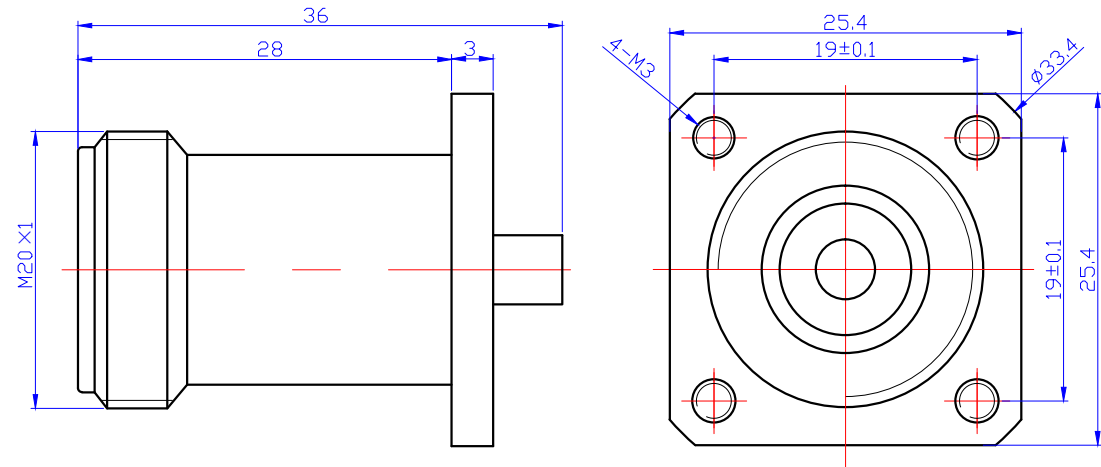
1	Body	Brass, silver plated
2	Center contact	Bronze, silver plated
3	Insulator	PTFE

3. ELECTRICAL DATA :

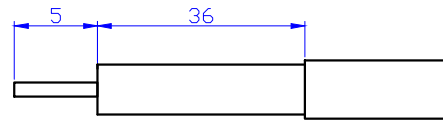
1	Impedance	50 Ω
2	Frequency range	DC-3G
3	VSWR	≤1.10
4	IM3	≤-160dBc
5	Dielectric withstanding voltage	1500V
6	Insertion loss	≤0.05dB
7	Insulation resistance	≥5000MΩ

4. DURABILITY: ≥500

5. Temperature range for operation of the connector: -40~85°C



Stripping:



CONFIDENTIAL AND PROPRIETARY
 THE INFORMATION CONTAINED HEREIN IS THE CONFIDENTIAL AND THE EXCLUSIVE PROPERTY OF TESSCO TECHNOLOGIES INCORPORATED. THIS DOCUMENT, AND THE INFORMATION CONTAINED HEREIN, SHALL NOT BE COPIED, REPRODUCED, PUBLISHED, DISPLAYED OR DISTRIBUTED, IN WHOLE OR IN PART, IN ANY MEDIUM, BY ANY MEANS, FOR ANY PURPOSE WITHOUT THE EXPRESS WRITTEN CONSENT OF TESSCO TECHNOLOGIES INCORPORATED.
 ©2010 TESSCO TECHNOLOGIES INCORPORATED
 ALL RIGHTS RESERVED

UNLESS OTHERWISE SPECIFIED: TOLERANCES: ±.XX = ±.01 ±.XXX = ±.005 ±.XXXX = ±.0001 ±X.X* = ±*1.0 C.A.D FEATURES ARE BASIC: .005 A B C DIMENSIONS ARE IN MM INTERPRET GEOMETRIC TOLERANCING PER ANSI Y14.5 - 2009 3RD ANGLE PROJECTION	DRAWN		
	RESP ENG		
	APPR.		
	APPR.		
	MATERIAL:	SEE NOTES	
	FINISH:	SEE NOTES	
	SIZE	CAGE CODE	DWG. NO.
	B	8J168	591897
			REV 1

ventev[®]
 A Division of Tessco Technologies Incorporated
 TITLE: 4.1-9.5F for semi-flex141 cable

DO NOT SCALE DRAWING | SCALE: 1:5 | SHEET 1 OF 1

ers

A