

## Hard Ceiling Mount

### For PEAR™ S4935, S5491, S6338

### Hard Ceiling Installation

#### DESCRIPTION:

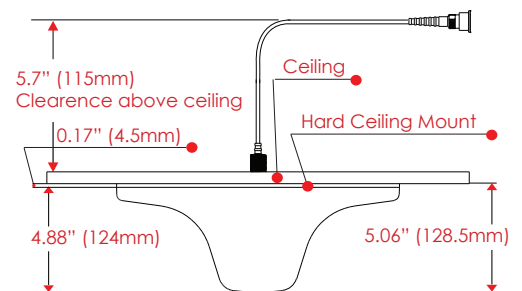
Galtronics' above ceiling mount offers an easy installation solution to mount Galtronics' PEAR S4935, S5491, S6338 antenna to hard ceilings not requiring a second access hole. Mounting hardware is not included. Make sure the selected fasteners are appropriate based on the ceiling material to which the hard ceiling mount is attached to. The hard ceiling mount adds 0.17" (4.5mm) to the antenna height.

#### Specifications

Model Number	62-54-09
Environmental Conditions	Indoor
Weight	0.33 lbs (150 g)
Diameter	Ø13.2" (Ø335mm)
Hard Ceiling Mount Color	White*
Hard Ceiling Material	PC/ABS (halogen free)
Center Hole Diameter	2.36" (Ø60mm) to Ø7.87" (Ø200mm)
Total Height (Antenna/Above Ceiling Mount)	5.06" (128.5mm)
Clearance Above Ceiling	5.7" (115mm)
Mounting Hardware	Not Included
Height Added By Hard Ceiling Mount	0.17" (4.5mm)

#### ADDITIONAL INFORMATION:

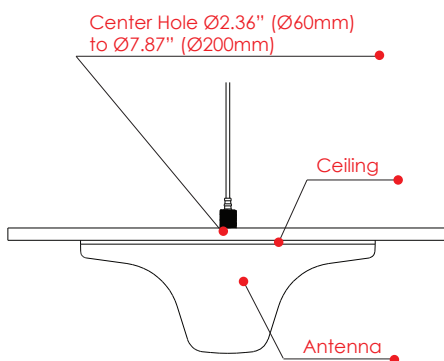
\* Hard ceiling mounting kit can be painted with recommended paint "krylon fusion for plastic".



#### Assembly Instructions for the S4935, S5491, S6338 Hard Ceiling Adapter:

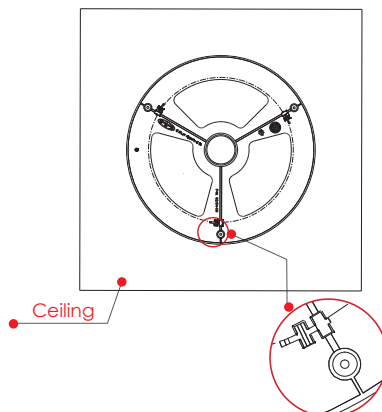
##### A.

Cut a hole with a diameter between 02.36" (Ø60mm) to 07.87" (Ø200mm) into the ceiling and mark 3 holes for countersunk head screws.



##### B.

Center the hard ceiling adapter above the center hole and attach it with 3 countersunk head screws 1/8" (3.80mm) diameter suitable for the ceiling material (not provided).



##### C.

Raise the antenna towards the Hard Ceiling Mount in the direction shown. Line up the Key to the Key slot as shown. Hold the antenna base against the face of the ceiling mount and turn the antenna in the counter clockwise direction to lock it in place. Make sure the edges of both parts are aligned.

