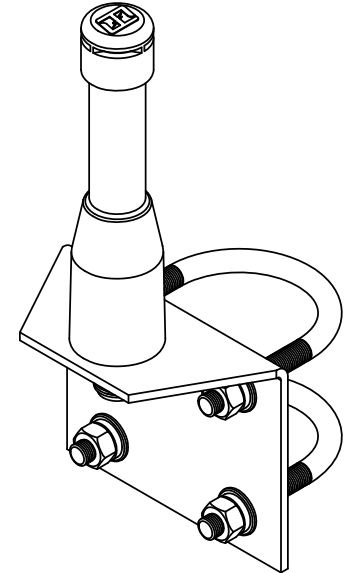
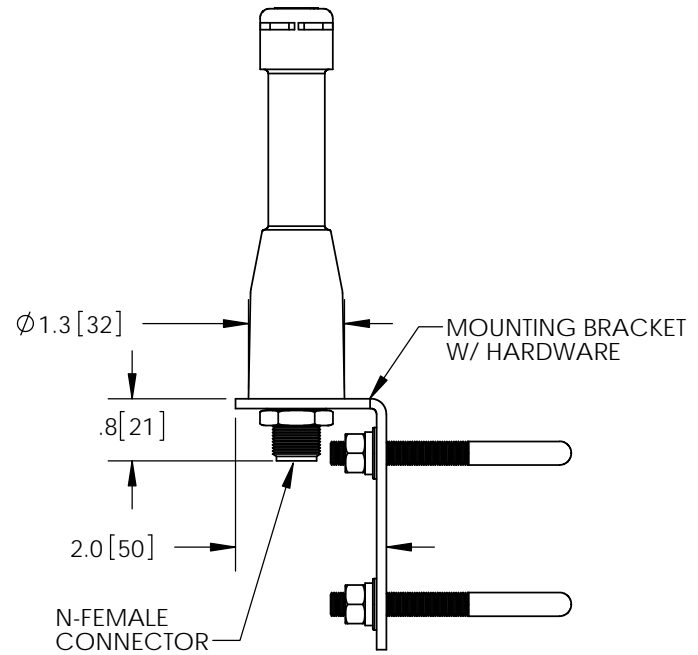
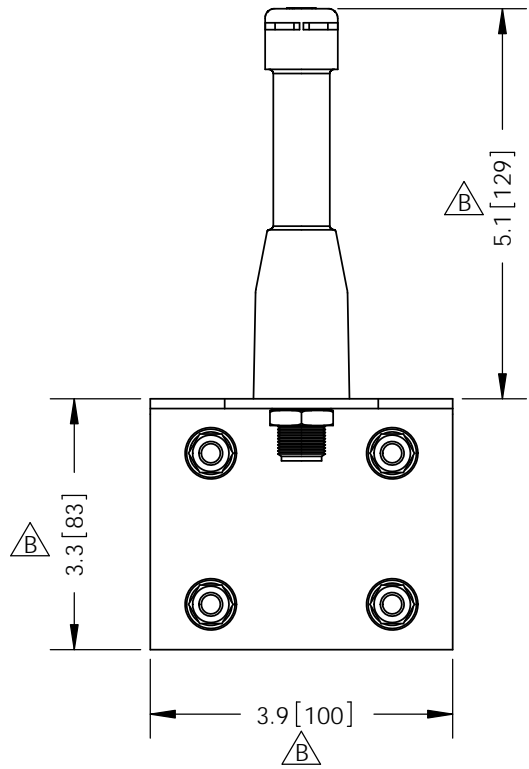


THE INFORMATION CONTAINED IN THIS DRAWING IS THE SOLE PROPERTY OF L-COM, INC. ANY REPRODUCTION IN PART OR WHOLE WITHOUT THE WRITTEN PERMISSION OF L-COM, INC. IS PROHIBITED.

REVISIONS			
REV	DESCRIPTION	DATE	APPROVED
A	INITIAL RELEASE	12/05/13	D.GRIFFIN
B	ECN 8962 UPDATE PER VENDOR SPECS	10/18/17	B.PUCHASKI



**NOTES:**

PACKAGING:  
COMPONENT SHALL BE INDIVIDUALLY PACKAGED IN ACCORDANCE WITH L-COM SPECIFICATION PKG-00085

- ALL DIMENSIONS FOR REFERENCE -

**REGULATORY COMPLIANCE:**  
CE2011/65/EU(RoHS DIRECTIVE)

UNLESS OTHERWISE SPECIFIED, DIMENSIONS ARE IN INCHES [mm]  DIMENSIONAL TOLERANCES: .X = ±.1 [2.54] .XX = ±.01 [.25] .XXX = ±.005 [.13]  ANGULAR TOLERANCES: ALL = ± 1°	APPROVALS DRAWN BY B.PUCHASKI	DATE 12/05/13		50 HIGH STREET NORTH ANDOVER, MA 01845
	CHECKED BY P.PESA	12/05/13		CATEGORY <b>ANTENNA</b>
PROJECTION 	APPROVED BY P.PESA	12/05/13	PRODUCT DESCRIPTION <b>2.5-5.8GHz 3dBi OMNI ANTENNA W/ N-FEMALE CONNECTOR</b>	
COLOR VARIATIONS MAY OCCUR	SIZE <b>A</b>	FSCM NO. <b>43321</b>	DWG. NO. <b>HGV-2458-03U</b>	REV. <b>B</b>
SCALE: NONE			CAD FILE: HGV-2458-03U.SLDDRW	
				SHEET 1 OF 1