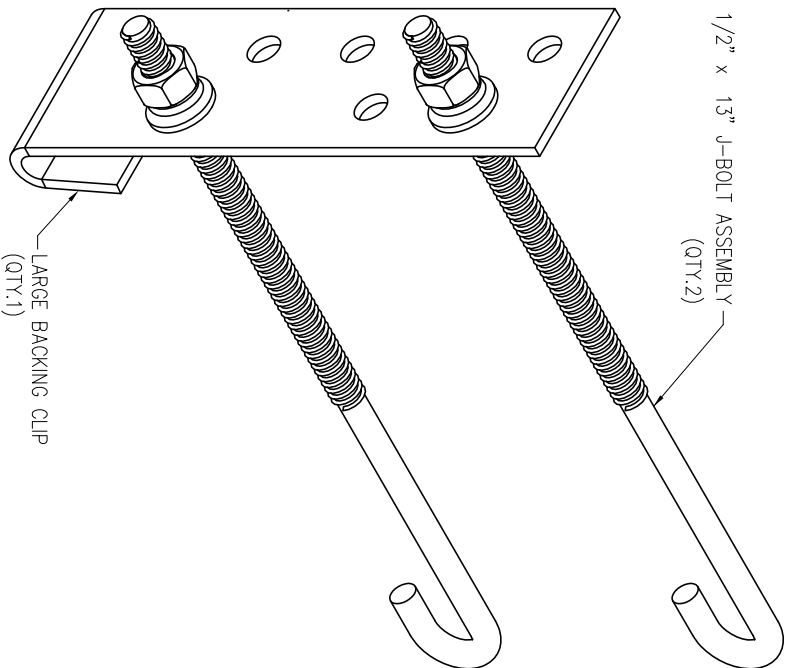



LARGE ANGLE CLIP ASSEMBLY

KIT NUMBER: 5.939.0005.014



- (1) 3.939.0161.008 LARGE BACKING CLIP
- (2) 4.963.0001.084 1/2" x 13" J BOLT ASSEMBLY

REV.	REV. BY:	CHK. BY:	DESCRIPTION	DATE
B	MRH	JAG	COST REDUCTION 1	29 MAR 05
A	DFM	MRH	ISSUED FOR DISTRIBUTION	31 JAN 05

	
CUSTOMER:	SITE:
DATE: 09 APR 02	BY: JLL
CHK: MAW	SCALE: NTS
TITLE: LARGE UNIVERSAL CLIP ASSY	DRAWING NO. 939.0005.014

COPYRIGHT HEREIN IS THE PROPERTY OF TRYLON MANUFACTURING COMPANY LTD.
 ALL DUPLICATION, RECORDING, DISCLOSURE OR USE IS PROHIBITED WITHOUT
 WRITTEN CONSENT OF TRYLON MANUFACTURING COMPANY LTD.