

ELECTRICAL SPECIFICATIONS

FREQUENCY: Hz - 4.0 GHz
 IMPEDANCE (NOM): 50 OHMS
 POWER (AVG): 2 WATTS @ +25°C
 DERATES LINEARLY TO
 0.75 WATTS @ +85°C
 POWER (PEAK): 500 WATTS
 (1 μSEC PULSE, 0.5% DUTY CYCLE)

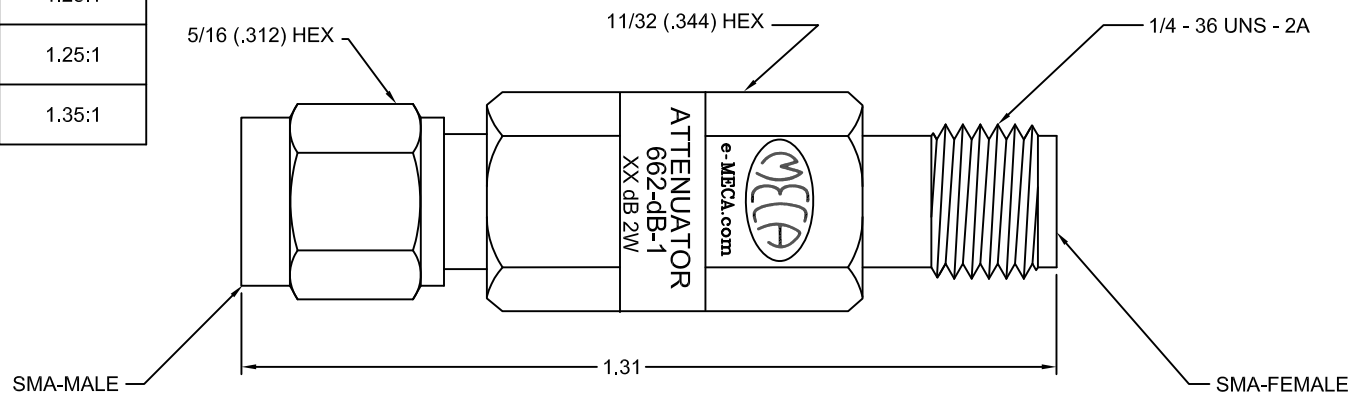
ATTENUATION VALUE	FREQUENCY (GHz)	ATTENUATION TOLERANCE*	VSWR (MAX)
3, 6, 10	Hz - 2.0	±0.6 dB	1.15:1
	2.0 - 4.0	±0.8 dB	1.25:1
20 & 30**	Hz - 2.0	±1.0 dB	1.25:1
	2.0 - 4.0	±1.5 dB	1.35:1

* INCLUDES ALL VARIATIONS (I.E. FREQUENCY SENSITIVITY, TEMPERATURE, ETC.)


** ALL OTHER VALUES FROM 1 - 32 db FOLLOW 30 dB SPECIFICATIONS

MECHANICAL SPECIFICATIONS

CONNECTORS: BRASS, ALBALOY
 BODY, COUPLING NUT: BRASS, ALBALOY
 PIN, FEMALE: BERYLLIUM COPPER, GOLD PLATE
 PIN, MALE: BERYLLIUM COPPER, GOLD PLATE
 INSULATORS: PTFE, VIRGIN ELECTRICAL GRADE
 TEMPERATURE: -55°C TO +85°C
 WEIGHT: 0.3 oz.



NOTE: All attenuation values from 1-32 dB are available in 1 dB increments. To specify Part Number, insert nominal attenuation value in place of dB. Example: 662-10-1 for 10 dB.

					MATERIAL:	UNLESS OTHERWISE SPECIFIED, DIMENSIONS ARE IN INCHES		 ELECTRONICS, INC. DENVER, NEW JERSEY e-MECA.com	
G		SEE DCN #100622-2	06/23/10	DB	RR	SEE ABOVE	TOLERANCES 2 PLACES: ±.02 3 PLACES: N/A ANGLES: N/A		TITLE ATTENUATORS, COAXIAL, FIXED, 50 OHMS, 2 WATT, TYPE SMA
F		SEE DCN #100429-2	04/30/10	DB	RR	SEE ABOVE	TIR: N/A		
E		SEE DCN #100115-4	01/20/10	RP	RR	DRAWN: NL	DATE: 01/19/06	SCALE: NTS	CODE IDENT. NO. 22424
D		SEE DCN #080102-2	07/28/06	NL	RR	APPROVED: JL	DATE: 01/19/06	SHEET: 1 OF 1	
LTR	PG	DESCRIPTION	DATE	DR	APP			SIZE A	REV G