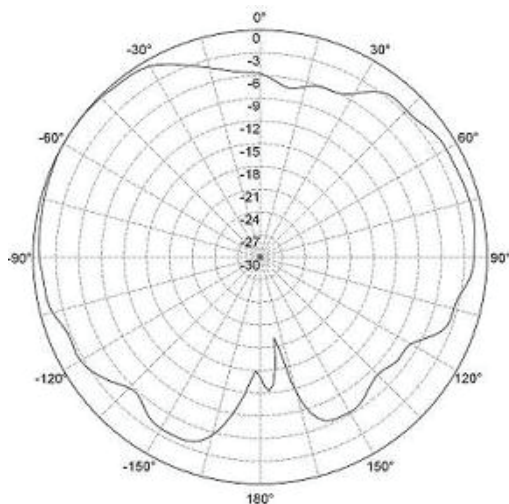


Wi-Fi Mini Ceiling Omni Antenna With 4 Right Angle RPTNC Plug Connectors

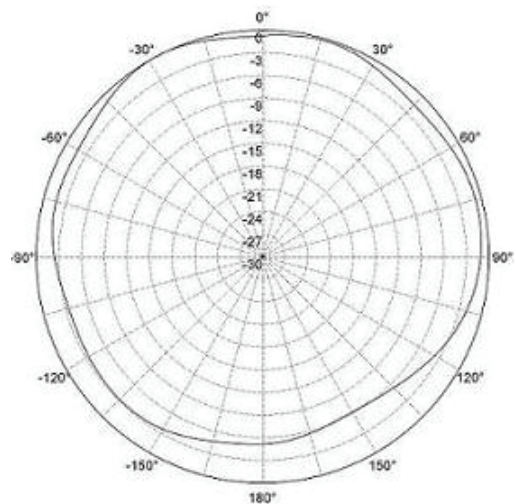
The TerraWave Wi-Fi Mini Ceiling Antenna is designed to operate with any demanding wireless communication system. The slim form factor of the antenna blends seamlessly into locations where maintaining environmental aesthetics are critical. It features four dual-band 36" cables with right-angle RPTNC plugs. This solution allows engineers to simplify deployments by using only one antenna for dual-band access points. *Every TerraWave antenna is covered by the Company's two-year TerraNet warranty program. For questions and to purchase product, contact a regional sales executive at 210-375-8482, 800-851-4965 or sales@terrawave.com. Visit www.terrawave.com for additional information.*



Specifications	
Model	M60202501D43602RA
Frequency Range	2400~2500 / 5150~5850 MHz
Gain	2 dBi / 2.5 dBi
VSWR	≤2.0 / ≤2.5
Polarization	Vertical
Horizontal Beamwidth	360°
Vertical Beamwidth	90° / 160°
Max Power	2W
Connector	RA RPTNC Plug with 36" Cable
Dimensions	5.4" x 2.5" x 1.2"
Operating Temperature Range	-40°F to +140°F



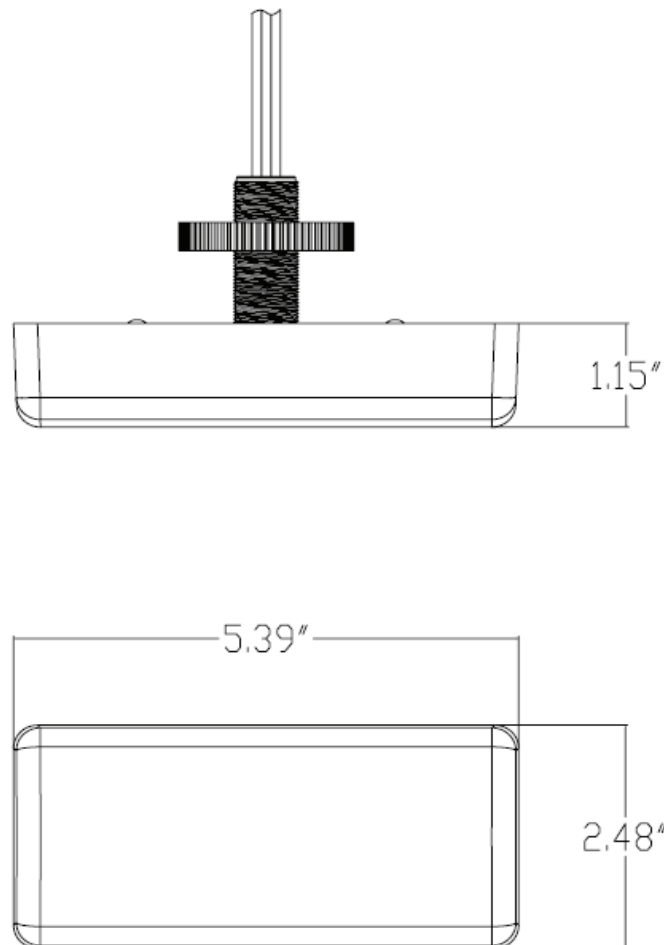
2400-2500 MHz



5150-5850 MHz

Wi-Fi Mini Ceiling Omni Antenna With 4 Right Angle RPTNC Plug Connectors

Antenna Dimensions:





Wi-Fi Mini Ceiling Omni Antenna With 4 Right Angle RPTNC Plug Connectors

