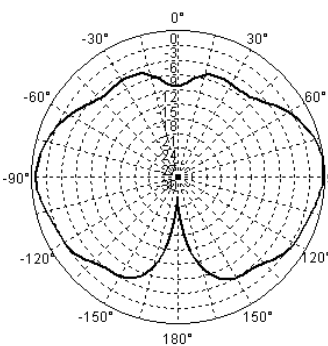




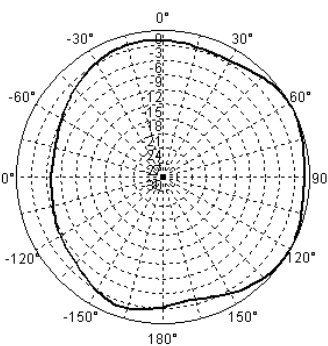
**TerraWave Solutions® 802.11n 2.4/5 GHz 6 dBi Outdoor
MIMO Omnidirectional Antenna with RPSMA Plug Connectors**

TerraWave’s 6 dBi outdoor multiple-input and multiple-output (MIMO) omnidirectional antenna is designed to operate enterprise class 802.11n MIMO access points. With dual-band leads, each of the four cables support both 2.4 and 5 GHz, making it an ideal and aesthetically pleasing antenna to support demanding outdoor applications in next generation IEEE 802.11n wireless communication systems. The rugged enclosure makes this antenna perfectly suited for use in a warehouse or manufacturing environment where it must withstand exposure to moisture and dust. Includes an L-Bracket for mast and or wall mounting. Industrial beam clamps are available as an additional option. Every TerraWave antenna is covered by the Company’s two-year TerraNet warranty program. For questions and to purchase product, contact a regional sales executive at 210-375-8482, 800-851-4965 or sales@terra-wave.com. Visit www.terra-wave.com for additional information.

| Specifications | |
|-----------------------------|---------------------------|
| Model | M6060060MO1D43620 |
| Frequency Range | 2400~2500 / 5150~5850 MHz |
| Bandwidth | 100 / 700 MHz |
| Gain | 6 dBi |
| Vertical Beamwidth | 45°/20° |
| Horizontal Beamwidth | 360° |
| VSWR | ≤2.0 / ≤2.2 |
| Nominal Impedance | 50 Ohms |
| Polarization | Vertical |
| Isolation | ≤ -15dB |
| Max Power | 10W |
| Lightning Protection | Not DC Grounded |
| Connector | RPSMA Plug with 36" Cable |
| Dimensions | 5.9" x 7" |
| Weight | 2.64 lbs |
| Mast Mount Diameter | 1.37"-1.97" |
| Operating Temperature Range | -40°F to +158°F |
| Wind Load | 134 mph |

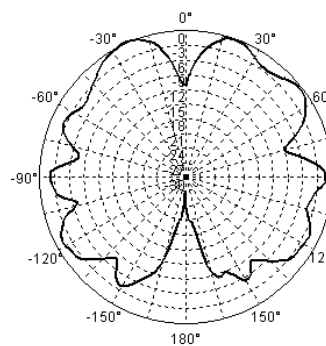


E-Plane Pattern

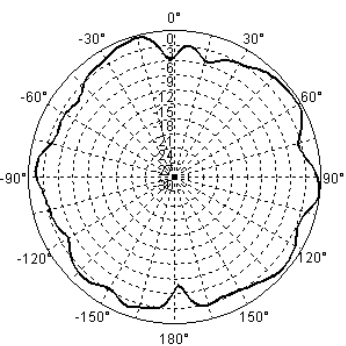


H-Plane Pattern

2.4 GHz



E-Plane Pattern



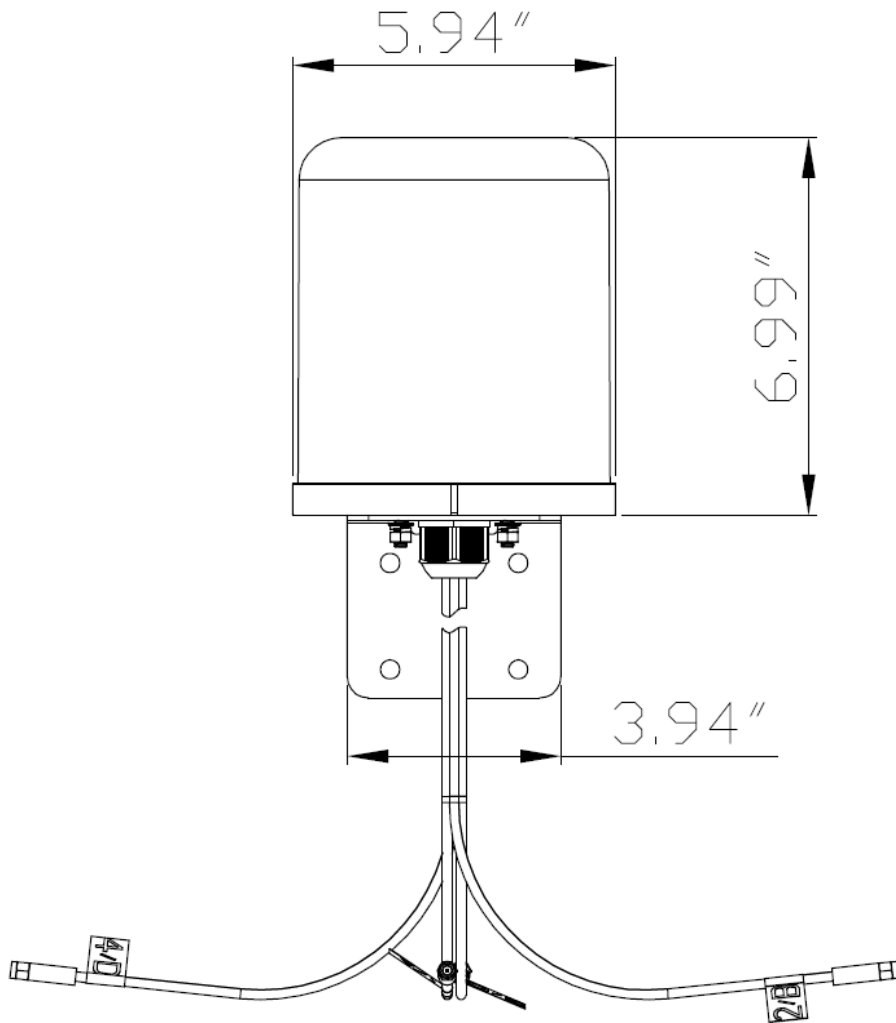
H-Plane Pattern

5 GHz



**TerraWave Solutions® 802.11n 2.4/5 GHz 6 dBi Outdoor
MIMO Omnidirectional Antenna with RPSMA Plug Connectors**

Mounting Information for M6060060MO1D43620





**TerraWave Solutions® 802.11n 2.4/5 GHz 6 dBi Outdoor
MIMO Omnidirectional Antenna with RPSMA Plug Connectors**

Mounting Information for M6060060MO1D43620

