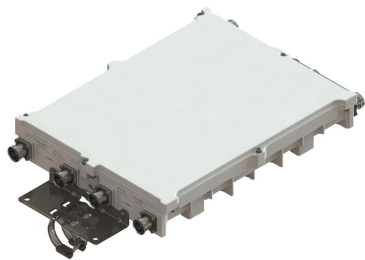


TD-PCS-1-B3-B4B5 | E15Z50P65



Twin Inband Diplexer PCS B3-B4B5, DC sense

Product Classification

Product Type Diplexer

General Specifications

Color Gray

Connector Interface 7-16 DIN Female

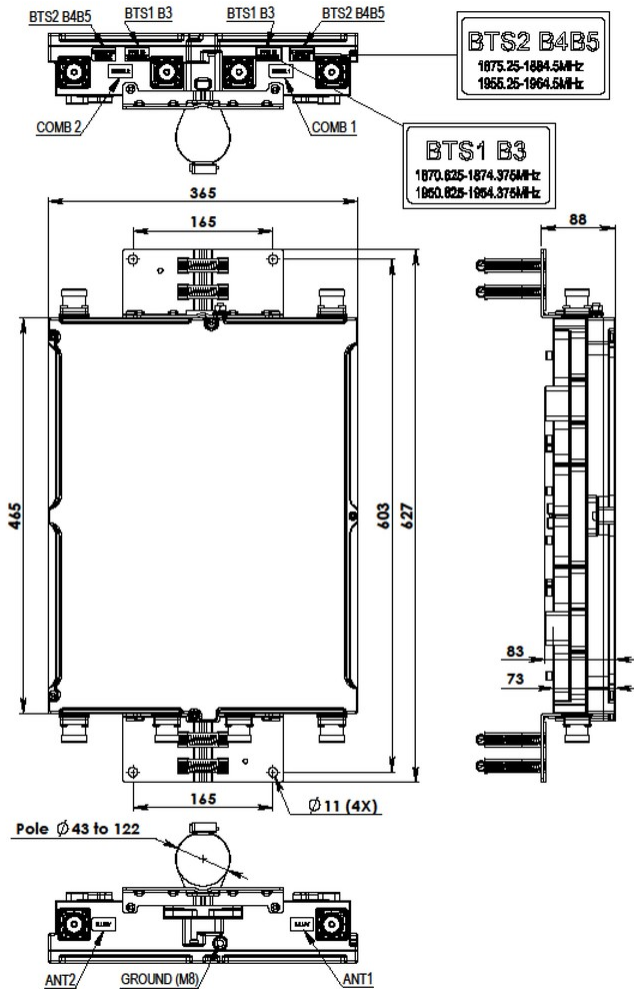
Dimensions

Height 465 mm | 18.307 in

Width 365 mm | 14.37 in

Depth 90 mm | 3.543 in

Outline Drawing



Electrical Specifications

5th Order IMD Test Method	Two +43 dBm carriers
5th Order IMD, maximum	-153 dBc
Lightning Surge Current	10 kA
Lightning Surge Current Waveform	8/20 waveform

Electrical Specifications, Rx (Uplink)

Frequency Band	1870.625 – 1874.375 MHz
Insertion Loss, typical	0.8 dB
Return Loss, typical	18 dB

TD-PCS-1-B3-B4B5 | E15Z50P65

Isolation, minimum	28 dB
Total Group Delay, maximum	300 ns

Electrical Specifications 2, Rx (Uplink)

Frequency Band	1875.25 – 1884.5 MHz
Isolation, minimum	28 dB
Isolation, typical	28 dB
Total Group Delay, maximum	300 ns
Insertion Loss, typical	0.8 dB

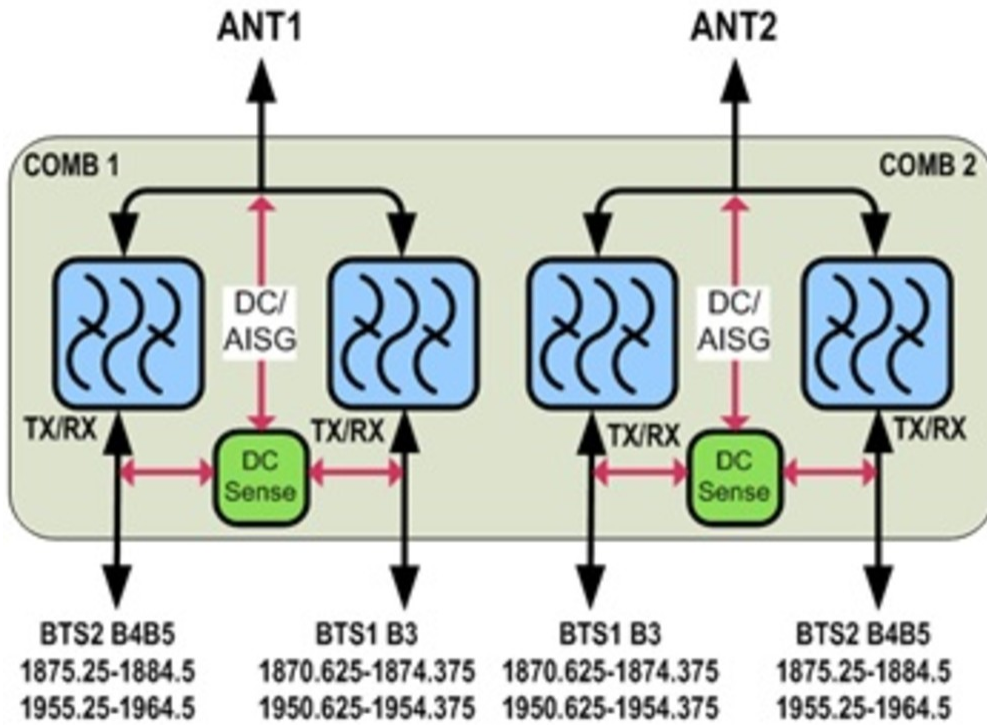
Electrical Specifications, Tx (Downlink)

Frequency Band	1950.625 – 1954.375 MHz
Isolation, minimum	28 dB
Isolation, typical	28 dB
Input Power, PEP, maximum	3000 W
Input Power, RMS, maximum	100 W
Total Group Delay, maximum	260 ns
Insertion Loss, typical	0.8 dB
Return Loss, minimum	18 dB
Return Loss, typical	18 dB

Electrical Specifications 2, Tx (Downlink)

Frequency Band	1955.25 – 1964.5 MHz
Insertion Loss, typical	0.8 dB
Isolation, typical	28 dB
Return Loss, minimum	18 dB
Return Loss, typical	18 dB
Total Group Delay, maximum	260 ns

Block Diagram



Environmental Specifications

Operating Temperature -40 °C to +65 °C (-40 °F to +149 °F)

Ingress Protection Test Method IEC 60529:2001, IP67

Packaging and Weights

Weight, net 15.8 kg | 34.833 lb