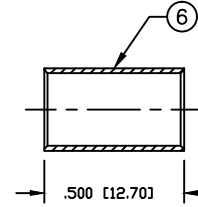
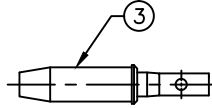
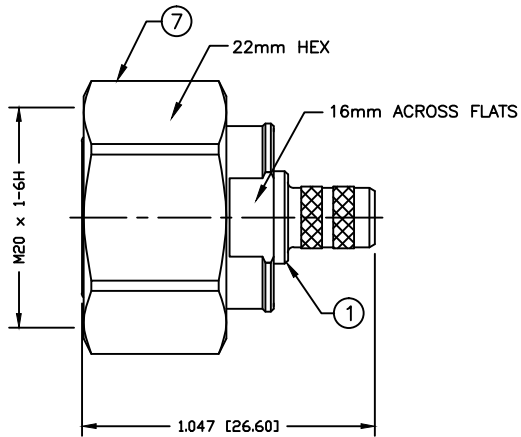


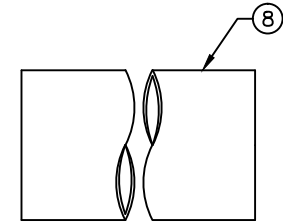
PART NO.

RFD-43MS-X

REV	DESCRIPTION	DWN	DATE	APPROVED
A	ADDED PIN & TUBING IMAGE TO DWG.	CZS	01/04/17	JDMc



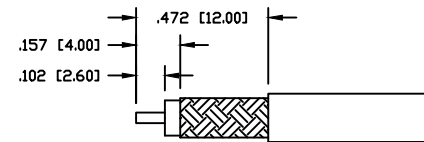
RECOMMENDED CRIMP DIE: .255"



(NTS)

SPECIFICATIONS:

INTERFACE: IEC61169-54
 IMPEDANCE: 50 OHMS
 FREQUENCY RANGE: DC-6 GHz
 VSWR MAX: <1.2:1 @ 3GHz
 DIELECTRIC WITHSTANDING VOLTAGE: 1000V
 INSULATION RESISTANCE: 5000M OHM
 TEMPERATURE RANGE: -55°C TO +85°C
 FOR RG-8/X, BELDEN 9258, MAXRAD M8X-100 &
 M8X-1000, MICRO 8/U, REMEE 1600, SAXTON 8315 &
 TIMES LMR-240 & LMR-240 ULTRAFLEX CABLE

RECOMMENDED STRIPPING DIMENSIONS
FOR SOLID CENTER CONDUCTOR CABLES ONLY

#	DESCRIPTION	QTY	MATERIAL	FINISH
8	TUBING	1	HEAT SHRINK	---
7	COUPLING NUT	1	BRASS	WHITE BRONZE
6	FERRULE	1	BRASS	WHITE BRONZE
5	O-RING	1	SI RUBBER	---
4	RETAINING RING	1	BRASS	WHITE BRONZE
3	PIN	1	BRASS	SILVER
2	INSULATOR	1	PTFE	---
1	BODY	1	BRASS	WHITE BRONZE

CUSTOMER OUTLINE DRAWING	
ALL DIMENSIONS ARE REFERENCE ONLY	
UNLESS OTHERWISE SPECIFIED: DIMENSIONS ARE IN INCHES AND [MILLIMETERS]	
DRAWN C. ZUNIGA	01/04/17
CHECKED	
ORJ DRAWN C. ZUNIGA	01/04/17

**RoHS
COMPLIANT**

PROPRIETARY AND CONFIDENTIAL
 THIS DRAWING CONTAINS
 INFORMATION PROPRIETARY TO
 RF INDUSTRIES. ANY
 UNAUTHORIZED USE OF THIS
 DRAWING IS EXPRESSLY
 PROHIBITED WITHOUT WRITTEN
 PERMISSION FROM RF
 INDUSTRIES. ANY VIOLATION IS
 PUNISHABLE UNDER U.S.
 COPYRIGHT LAWS.

RFconnectors
 DIVISION OF RF INDUSTRIES, LTD. 7610 MIRAMAR RD.
 SAN DIEGO, CA 92126
 (858) 549-6340
 (858) 549-6345 FAX

4.3-10 MALE, CRIMP
 FOR LMR-240

SIZE	CABLE GROUP	DWG NO.	REV
A	X	RFD-43MS-X	A
SCALE: NTS	ENGINEERING ID: 000000	SHEET 1 OF 1	