

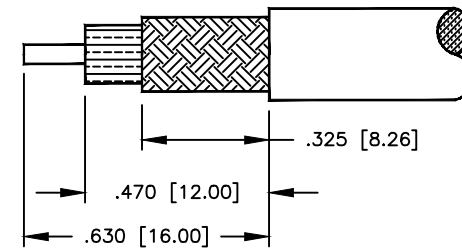
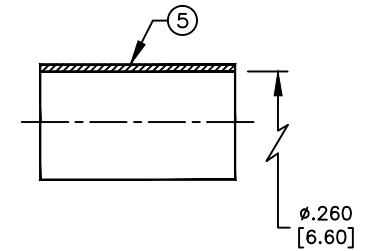
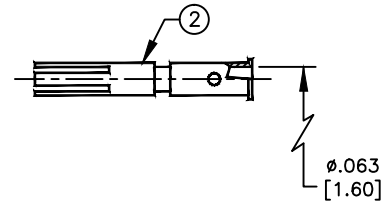
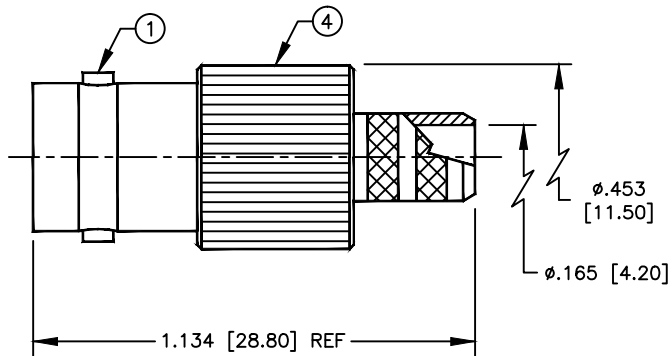
SPECIFICATION CONTROL DRAWING

THIS DRAWING CONTAINS INFORMATION PROPRIETARY TO RF INDUSTRIES, LTD. ANY UNAUTHORIZED USE OF THIS DRAWING IS EXPRESSLY PROHIBITED. ANY VIOLATION IS PUNISHABLE UNDER U.S. COPYRIGHT LAWS.

REV	DESCRIPTION	DWN	DATE	APPROVED
A	ENGINEERING RELEASE	CZS	3/18/99	R. RICE

ALL DIMENSIONS ARE REFERENCE ONLY

008974



SUGGESTED STRIPPING INSTRUCTIONS
SUGGESTED CRIMP DIES: .068 & .255

SPECIFICATIONS:

IMPEDANCE: 50 OHMS
 WORKING VOLTAGE: 500 VRMS @ SEA LEVEL
 FREQUENCY RANGE: 0-4 GHz
 INSERTION LOSS: \leq -.2 dB @ 3 GHz
 VSWR MAX: 1.4:1 @ 3 GHz
 FOR RG-8/X & 30/U, BELDEN 9258, MAXRAD M8X-100 & M8X-1000, MICRO 8/U, REMEE 1600, SAXTON 8315 & TIMES LMR-240 & LMR-240 ULTRAFLEX CABLE

DIMENSIONS ARE IN INCHES AND [MILLIMETERS]

UNLESS OTHERWISE NOTED TOLERANCES ARE:

DECIMALS DIAMETER

RFconnectors

DIVISION OF RF INDUSTRIES, LTD.

7610 MIRAMAR RD
SAN DIEGO, CA 92126
(619)549-6340
(619)549-6345 FAX

RFB-1124-1X

BNC JACK CRIMP

ITEM	DESCRIPTION	QTY	MATERIAL	FINISH
5	FERRULE	1	BRASS	NICKEL
4	BODY	1	BRASS	NICKEL
3	DIELECTRIC	1	DELRIN	NONE
2	CONTACT	1	PHOS BRONZE	GOLD
1	BODY	1	BRASS	NICKEL

DRAWN C. ZUNIGA	3/18/99
CHECKED	
ORJ DRAWN C. ZUNIGA	3/18/99
APPROVALS	DATE

SIZE	CABLE GROUP	DWG NO.	REV
A	X	9075	A
SCALE: NTS		CAD FILE	SHEET 1 OF 1