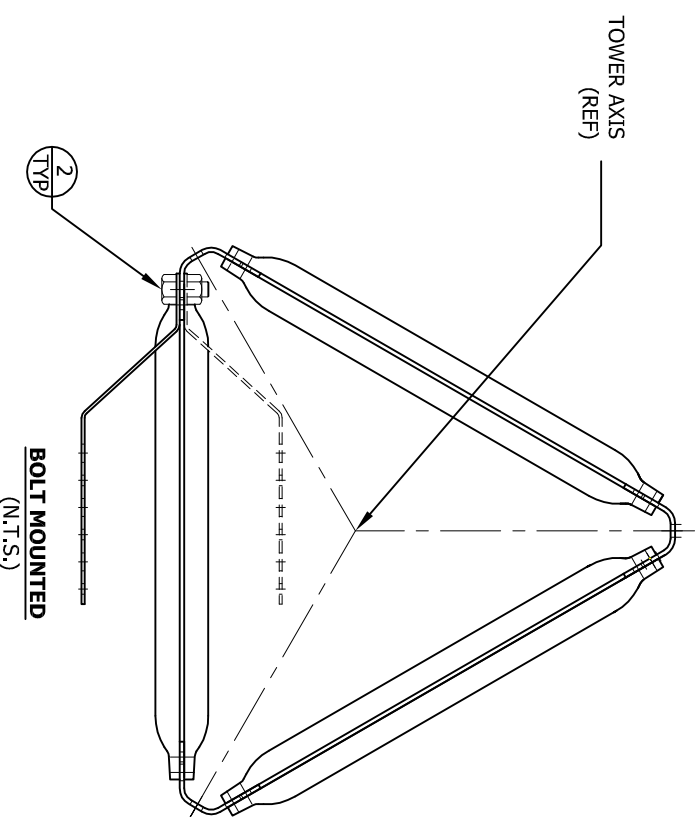
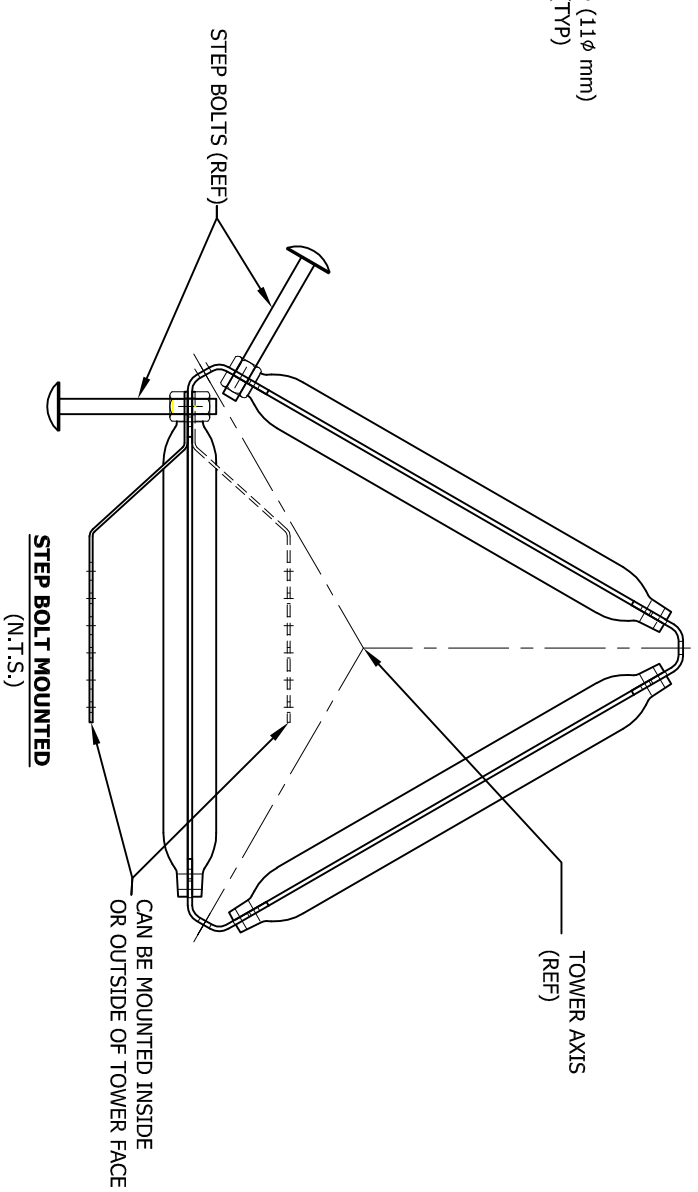
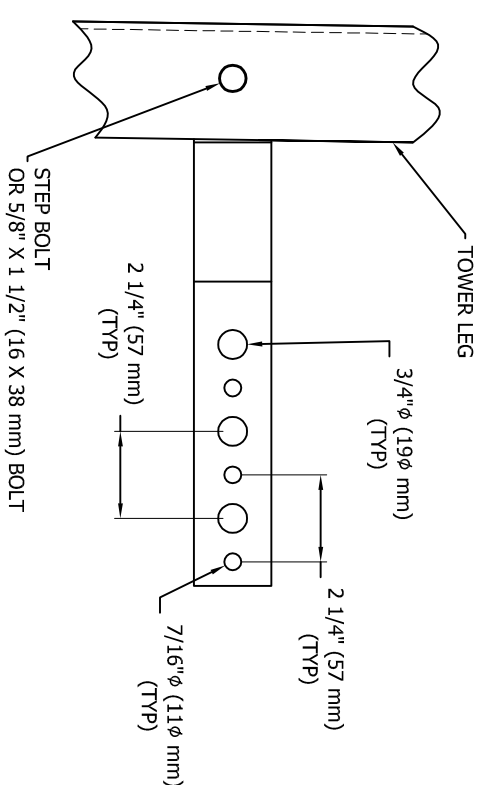
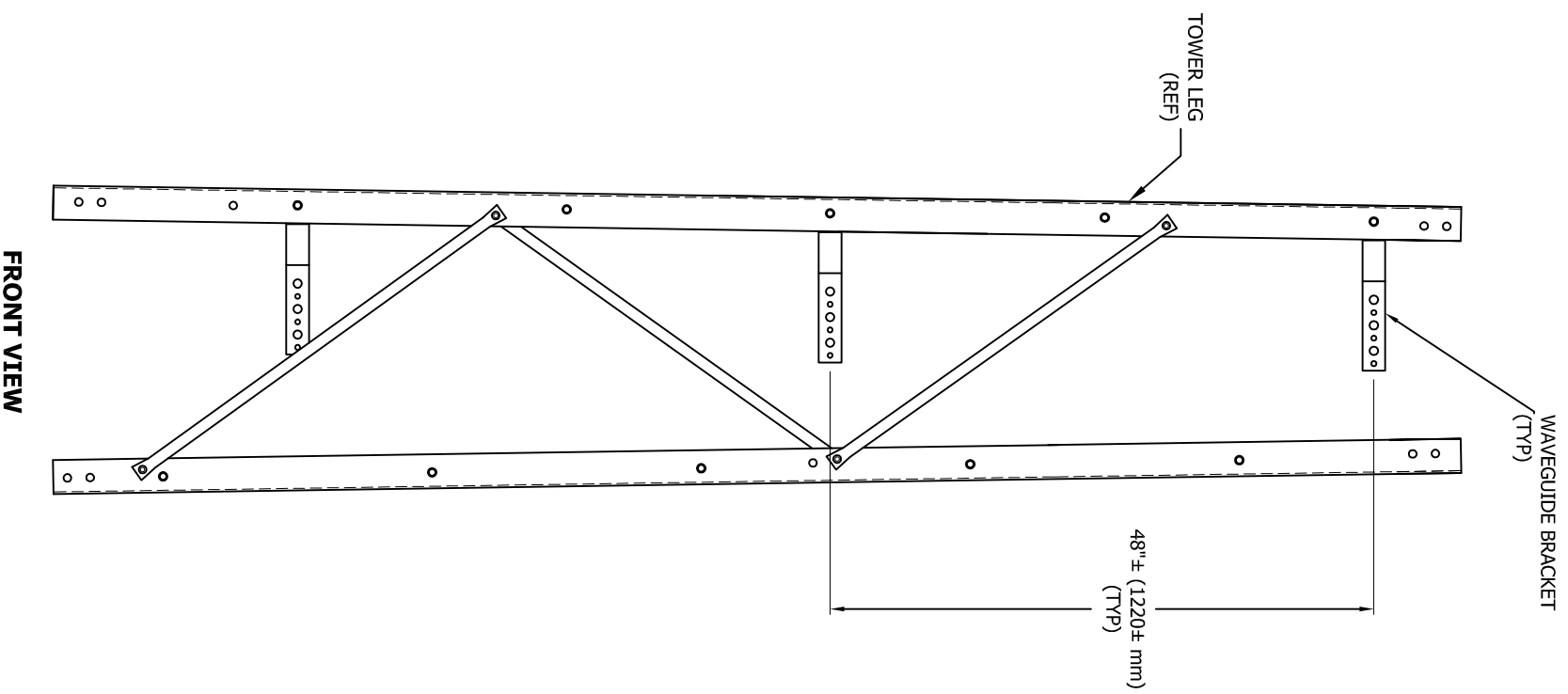


ASSEMBLY P/N: RSWG B

BILL OF MATERIAL			
ITEM	QTY.	PART NO.	DESCRIPTION
1	3	RSLW/G	RSL WAVEGUIDE BRACKET
2	3	210029GA-TLN	BOLT ASSY 5/8 X 1-1/2 A325

**NOTE:**

1. BOLT ASSY IN B.O.M. ABOVE CONSIST OF BOLT & TRI-LOC NUT.
2. BILL OF MATERIAL SHOWN IS FOR ONE FACE OF A 10' (3.05) TOWER LEG.
3. NOMINAL METRIC EQUIVALENTS ARE GIVEN FOR REFERENCE ONLY AND SHALL NOT BE SUBSTITUTED FOR THE DESCRIBED SIZE UNLESS OTHERWISE APPROVED BY ROHN PRODUCTS.
4. ALL DIMENSIONS IN PARENTHESES ARE IN METERS, UNLESS OTHERWISE NOTED.



FILE NO.

REVISIONS				
REV.	DESCRIPTION	DWN	CHK	APP
2	UPDATE DRAWING TO NEW STANDARDS	ZAW	JDM	DWG
	DATE: 09/15/12			



PO BOX 5999  
PEORIA, IL 61601-5999  
TOLL FREE 800-727-ROHN

THIS DRAWING IS THE PROPERTY OF ROHN. IT IS NOT TO BE REPRODUCED, COPIED OR TRADED IN WHOLE OR IN PART WITHOUT OUR WRITTEN CONSENT.

**RSL TOWER  
WAVEGUIDE BRACKET ASSEMBLY**

DWN:	ZAW	CHK'D:	JDM	DATE:	07/24/12
ENGR:	HA	SHEET #:	1 OF 1		
PRJ. ENGR:	OH	PRJ. MANGR:			
DRAWING NO:	RSWG B	REV:	2		