

REVISIONS			
REV.	DESCRIPTION	DATE	APPROVED
1	initial	12/23/2015	Chad

1. INTERFACE DIMENSIONS CONFORMABLE TO THE STANDARDS: IEC 60169

2. MATERIAL AND PLATING:

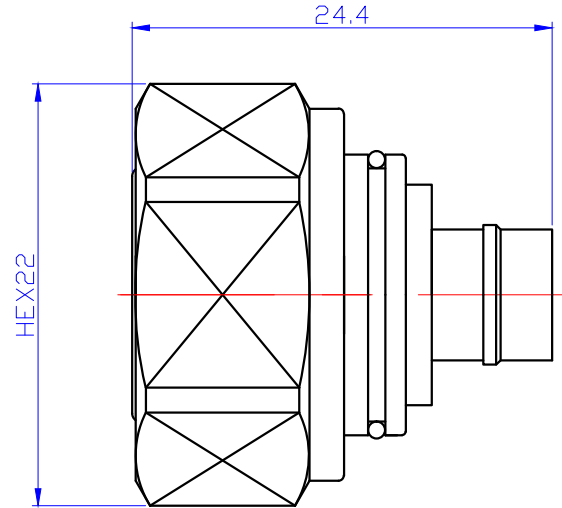
1	Body	Brass, white bronze plated
2	Center contact	Brass, silver plated
3	Insulator	PTFE

3. ELECTRICAL DATA :

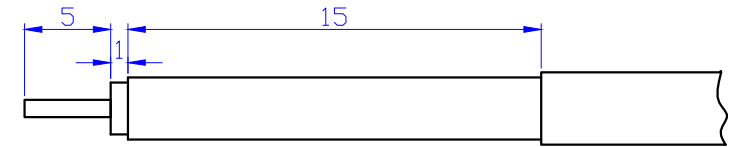
1	Impedance	50 Ω
2	Frequency range	DC-2.7G
3	VSWR	≤1.15
4	IM3	≤-160dBc
5	Dielectric withstanding voltage	1500V
6	Insertion loss	≤0.05dB
7	Insulation resistance	≥5000MΩ

4. DURABILITY: ≥500

5. Temperature range for operation of the connector: -40~85°C



Stripping:



CONFIDENTIAL AND PROPRIETARY
 THE INFORMATION CONTAINED HEREIN IS THE CONFIDENTIAL AND THE EXCLUSIVE PROPERTY OF TESSCO TECHNOLOGIES INCORPORATED. THIS DOCUMENT, AND THE INFORMATION CONTAINED HEREIN, SHALL NOT BE COPIED, REPRODUCED, PUBLISHED, DISPLAYED OR DISTRIBUTED, IN WHOLE OR IN PART IN ANY MEDIUM, BY ANY MEANS, FOR ANY PURPOSE WITHOUT THE EXPRESS WRITTEN CONSENT OF TESSCO TECHNOLOGIES INCORPORATED.
 ©2016 TESSCO TECHNOLOGIES INCORPORATED
 ALL RIGHTS RESERVED

UNLESS OTHERWISE SPECIFIED:		DRAWN		 A Division of Tessco Technologies Incorporated
TOLERANCES: ±.XX = ±0.01 ±.XXX = ±0.005 ±.XXXX = ±0.0001 ±X.X* = ±*1.0		RESP ENG		
CAD FEATURES ARE BASIC: 		APPR.		
DIMENSIONS ARE IN MM INTERPRET GEOMETRIC TOLERANCING PER ANSI Y14.5 - 2009		MATERIAL: SEE NOTES		TITLE: 4.3-10M for semi-flex141 cable
3RD ANGLE PROJECTION 		FINISH: SEE NOTES		
SIZE B	CAGE CODE 8J168	DWG. NO. 556402		REV 1
		DO NOT SCALE DRAWING		SCALE: 1:5 SHEET 1 OF 1