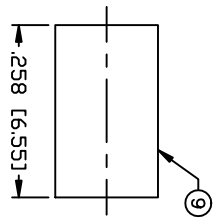
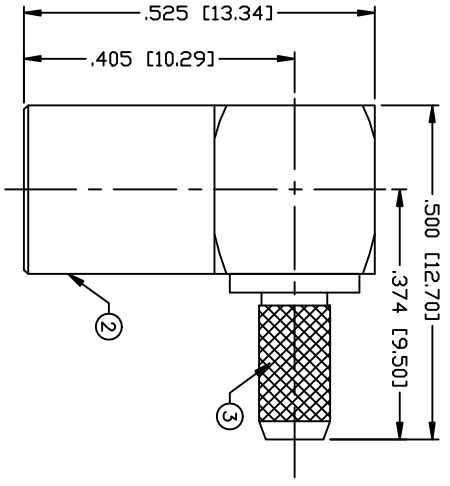
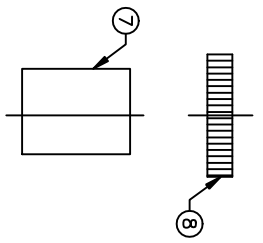
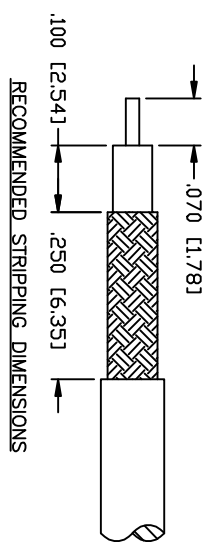
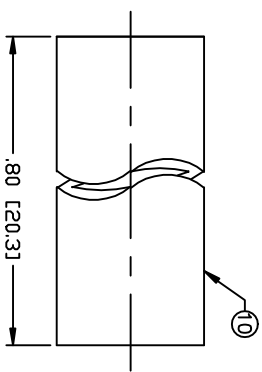


PART NO.		<b>RSB-4010-1B-03</b>	
REV	DESCRIPTION	DWN	DATE
-	ENGINEERING RELEASE	CZS	06/16/11
		APPROVED	JDMc



RECOMMENDED CRIMP SIZE: .130"



RECOMMENDED STRIPPING DIMENSIONS

**SPECIFICATIONS:**

IMPEDANCE: 50 Ohms  
 FREQUENCY RANGE: 0-4 GHz  
 WORKING VOLTAGE: 335 V rms Max. @ Sea Level  
 CONTACT RESISTANCE: ≤ 6 m Ohm  
 INSULATION RESISTANCE: 1k M Ohms min.  
 TEMPERATURE RANGE: -65°C TO 165°C  
 FOR RG-174, 188, 188A, 316/U, ALPHA 9174, 9316,  
 BELDEN 8216, 83289, 83284, 84316 & TIMES LMR-100A CABLE

1	COUPLING NUT	1	BRASS	GOLD, 3/16"
2	PRESS BODY	1	BRASS	GOLD, 3/16"
3	BODY	1	BRASS	GOLD, 3/16"
4	INSULATOR	1	PTFE	---
5	CONTACT	1	Be. Cu.	GOLD, 30/10"
6	RETAINING RING	1	Be. Cu.	---
7	INSULATOR	1	PTFE	---
8	PRESS CAP	1	BRASS	GOLD, 3/16"
9	FERRULE	1	BRASS	GOLD, 3/16"
10	TUBING	1	HEAT SHRINK	---
#	DESCRIPTION	QTY	MATERIAL	FINISH (IN)

CUSTOMER OUTLINE DRAWING	06/16/11
ALL DIMENSIONS ARE REFERENCE ONLY	
UNLESS OTHERWISE SPECIFIED: DIMENSIONS ARE IN INCHES AND [MILLIMETERS]	
DRAWN C. ZUNIGA	06/16/11
CHECKED	
DRN C. ZUNIGA	
C. ZUNIGA	

**ROHS COMPLIANT**

PROPRIETARY AND CONFIDENTIAL  
 THIS DRAWING CONTAINS  
 INFORMATION PROPRIETARY TO  
 RF INDUSTRIES. ANY  
 UNAUTHORIZED USE OF THIS  
 DRAWING IS EXPRESSLY  
 PROHIBITED WITHOUT WRITTEN  
 PERMISSION FROM RF  
 INDUSTRIES. ANY VIOLATION IS  
 PUNISHABLE UNDER U.S.  
 COPYRIGHT LAWS.

**RF connectors**  
 DIVISION OF RF INDUSTRIES, LTD. (858) 549-6345 FAX

7610 MIRAMAR RD.  
 SAN DIEGO, CA 92126  
 (858) 549-6340

**SMB PLUG, CRIMP**  
 RIGHT ANGLE

SIZE	CABLE GROUP	DWG NO.	REV
A	B	<b>RSB-4010-1B-03</b>	---

SCALE: NTS ENGINEERING ID: 008974 SHEET 1 OF 1

NOTE: ATTACH CABLE TO CONNECTOR BY SOLDERING  
 THE CABLE INNER CONDUCTOR TO THE  
 CONTACT SLOT INSIDE THE CONNECTOR