

DRAWING NO.
SD079848

REV	DATE	DESCRIPTION	ECO	BY	C'H'K.
D	05/19/2014 00:00:00 AM	NOTE ADDED AS PER ECO MARKUP	36169	AD	BSB

CATALOG NUMBER	STRANDED COPPER CONDUCTOR ACCOMMODATED			BOLT SIZE	METRIC BOLT SIZE	DIMENSIONS							
	CODE (AWG)	NAVY	METRIC SIZE (CLASS 2)			B	C	K DIA.	L	N	O.D.	T REF.	Z MIN.
YA8CL	#8 AWG	23	10mm ² STR [4.2]	8-10	----	.44 [11]	.41 [10]	.21 [5]	1.16 [29]	.22 [6]	.27 [7]	.08 [2]	.26 [7]
YA8CLG4				8-10	----	.44 [11]	.36 [9]	.21 [5]	1.16 [29]	.22 [6]	.27 [7]	.09 [2]	.26 [7]
YA8CL1				1/4	M6	.44 [11]	.27 [7]	1.26 [32]	.25 [6]	.08 [2]	.33 [8]		
YA8CL2				5/16	----	.52 [13]	.33 [8]	1.38 [35]	.34 [9]	.06 [2]	.36 [9]		
YA8CL3				3/8	----	.58 [15]	.40 [10]	1.51 [38]	.41 [10]	.06 [2]	.42 [11]		
YA8CL4				1/2	M12	.71 [18]	.53 [13]	1.76 [45]	.53 [13]	.05 [1]	.55 [14]		

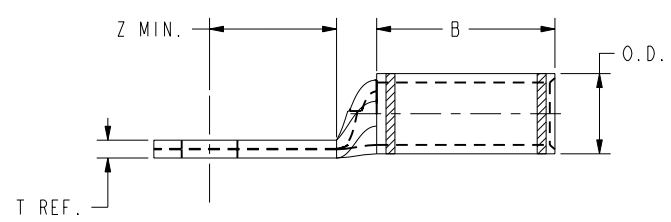
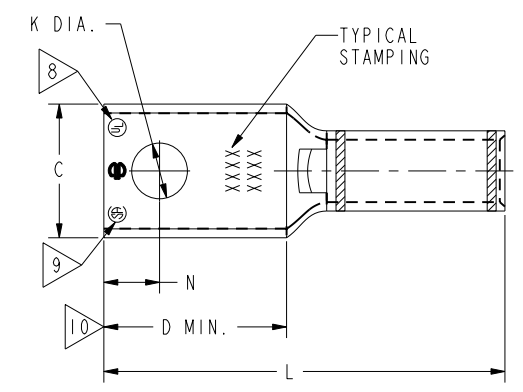
CONNECTOR SIZE	TOLERANCES					
	B	C	K DIA.	L	N	O.D.
-8C THRU -25	±.06	±.04	±.02	±.09	±.03	±.01
-26 THRU -34	±.08	±.04	±.02	±.12	±.03	±.01
-35 AND UP	±.09	±.06	±.02	±.15	±.06	±.01

TOLERANCE BLOCK

INSTALLATION TOOLING (# CRIMPS)																
CATALOG NO.	COLOR CODE	DIE INFORMATION			MECHANICAL				HYDRAULIC					DIELESS (# CRIMPS)	WIRE STRIP LENGTH	
		DIE INDEX	TYPE	YIMRTC	OUR840	MD6 MD7	MD6--R2 MD7-34R	Y500CT PATMD6 PAT600	Y34A Y34B Y34BH	Y35, Y39 Y750, BAT35 PAT750	Y46, PAT46	Y45	Y48B			Y60BHU
YA8CL YA8CL1 YA8CL2 YA8CL3 YA8CL4 YA8CLG4	RED	49	RED DIE SET	RED (1)	X8CRT(1) W8CRT(1) W8CVT(1)	X8CRT(1) W8CVT(1) W8CRT(1)	X8CRT(1) W8CVT(1) W8CRT(1)	X8CRT(1) W8CVT(1) W8CRT(1)	-----	U8CRT(1)	U8CRT(1)	U8CRT(1)	-----	-----	RATCHET: Y8MRB-1(1) MECHANICAL: MY29-3(1) MY29-11(1) MRC840(1) HYDRAULIC: Y81KFT(1) Y4PC834(1)	7/16"
			NEST	-----	-----	-----	-----	-----	-----	-----	-----	-----	-----	-----		
			INDENTOR	-----	-----	-----	-----	-----	-----	-----	-----	-----	-----	-----		

NOTES:

- MATERIAL: COPPER TUBING.
- FINISH: TIN PLATED.
"FOR ALTERNATIVE FINISH ADD ONE OF THE FOLLOWING SUFFIXES:
NICKEL = NK, LEAD = LD, BARE = BR"
- CATALOG # PT6515 ADAPTOR IS REQUIRED TO USE "U" DIES IN Y45 SERIES TOOLS.
- CATALOG # PUADP-1 ADAPTOR IS REQUIRED TO USE "U" DIES IN Y46 SERIES TOOLS.
- PERMANENT DIE IN TOOLING.
- DIMENSIONS IN BRACKETS [] ARE IN MILLIMETERS ROUNDED OFF TO THE NEAREST MILLIMETER, UNLESS OTHERWISE NOTED, AND ARE FOR REFERENCE ONLY.
- FOR USE BY CUSTOMERS THAT HAVE THIS HYPRESS™. NO NEW Y34A HYPRESS™ TOOLS ARE BEING PROCESSED. Y34A USES A--D NEST DIES ONLY.
- CONNECTORS ARE UL LISTED; UNDRILLED VERSIONS ARE NOT UL LISTED.
- CONNECTORS ARE CSA CERTIFIED; UNDRILLED VERSIONS ARE NOT CSA CERTIFIED.
- FOR UNDRILLED VERSIONS ADD SUFFIX "-U" TO END OF CATALOG NUMBER.
FOR UNDRILLED VERSIONS, USE D MIN. = N MAX. + Z MIN.
- "X", "W-RT", "W-VT", "U" & "L" DIE SETS ARE COLOR CODED. "A", "B" AND "C" DIES ARE NOT COLOR CODED. NESTS AND INDENTOR TYPE ARE NOT COLOR CODED.



REFERENCE: SE209240

TO ORDER BURNDY® PRODUCTS CALL		HYLUG™ COPPER	
UNITED STATES 1-800-346-4175 (LONDONDERRY, NH)		ITEM NO: N/A	CAT. NO: YA-L, YA-L-TC-
CANADA: 1-800-361-6975 (QUEBEC) 1-800-387-6487 (ALL OTHER PROVINCES)		DRAWN BY: C.RACANO 11/29/76	CHECKER: CAR 12/10/76
FOR PRODUCT INFO: http://www.burndy.com		DSN APPVL: LB 12/10/76	MFG APPVL: N/A --
		QA APPVL: C.ACKERMAN 9/30/94	MKT APPVL: T.NELSON 9/07/94
		PROJ #: --	SCALE: 1:1
		DOCUMENT TYPE: Sales	DRAWING NO: SD079848
		REL LEVEL: Released	SHEET 1 OF 17

REV: PE0200