

ENVELOPE / ASSEMBLY DRAWING

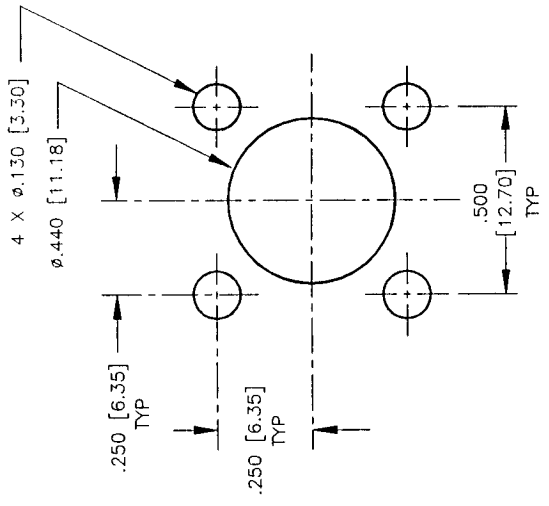
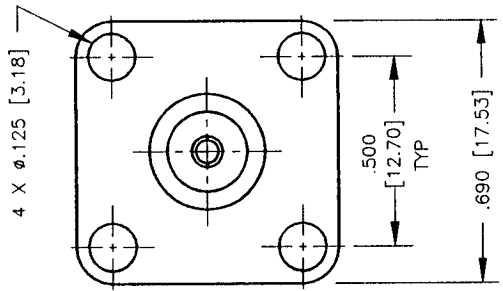
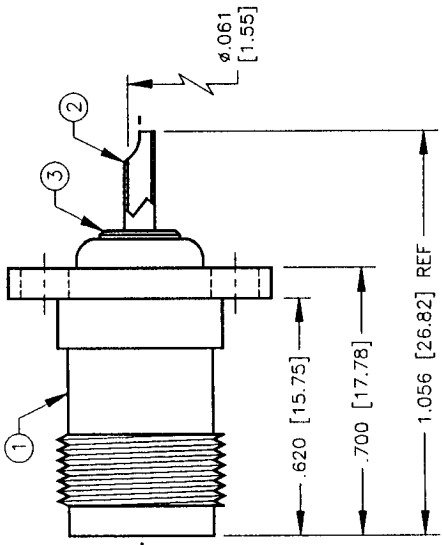
000000

SPECIFICATION CONTROL DRAWING

REV	DESCRIPTION	DWNI	DATE	APPROVED
A	ENGINEERING RELEASE	KMM	12/6/89	J. BENZ
B	CREATE SECTION DRAWING	KMM	4/12/96	R. RICE
C	CHANGE CONTACT BARBS CONFIGURATION	CZS	9/14/93	R. RICE

THIS DRAWING CONTAINS INFORMATION PROPRIETARY TO RF INDUSTRIES, LTD. ANY UNAUTHORIZED USE OF THIS DRAWING IS EXPRESSLY PROHIBITED. ANY VIOLATION IS PUNISHABLE UNDER U.S. COPYRIGHT LAWS.

ALL DIMENSIONS ARE REFERENCE ONLY



SUGGESTED MOUNTING CONFIGURATION

SPECIFICATIONS:

IMPEDANCE: 50 OHMS
 WORKING VOLTAGE: 500 VRMS @ SEA LEVEL
 FREQUENCY RANGE: 0-7 GHZ
 INTERFACE PER MIL-STD-348A, SECTION 313.2

ITEM	DESCRIPTION	QTY	MATERIAL	FINISH
3	DIELECTRIC	1	TEFLON	NONE
2	CONTACT	1	BRASS	GOLD
1	BODY	1	BRASS	NICKEL

DIMENSIONS ARE IN INCHES AND [MILLIMETERS]
 UNLESS OTHERWISE NOTED TOLERANCES ARE: DECIMALS DIAMETER

DRAWN	C. ZUNIGA	9/14/98
CHECKED	<i>[Signature]</i>	7/14/98
CR. DRAWN	K. MAXWELL	12/6/89
APPROVALS		DATE

RF connectors
 DIVISION OF RF INDUSTRIES, LTD.
 7610 MIRAMAR RD
 SAN DIEGO, CA 92126
 (619)549-6340
 (619)549-6345 FAX

RFT-1210

TNC FEMALE 4 HOLE FLANGE

SIZE	A	CABLE GROUP	N/A	DWG NO.	7611	REV	C
SCALE:	2:1	CAD FILE	13ARC B	SHEET	1	OF	1