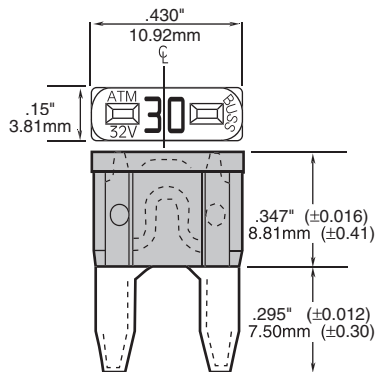


Dimensional Data



Catalog Symbol: ATM

Fast-Acting

Ampere Ratings: 2 to 30 Amperes

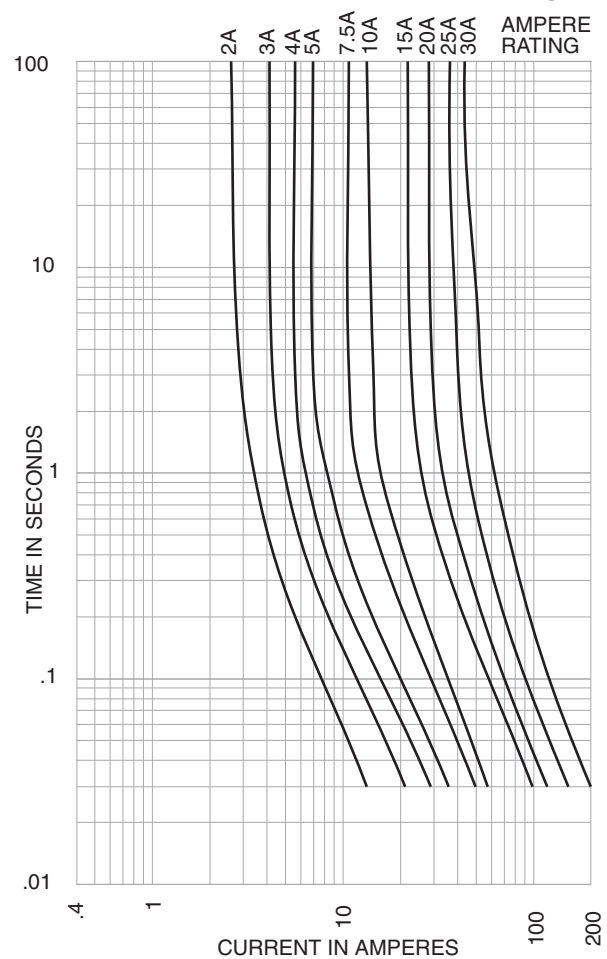
Interrupting Rating: 1,000 Amperes

Ordering: Specify packaging and product code

SPECIFICATIONS

Product Code	Body Color	Voltage Rating DC
ATM-2	Gray	32V
ATM-3	Violet	32V
ATM-4	Pink	32V
ATM-5	Tan	32V
ATM-7 1/2	Brown	32V
ATM-10	Red	32V
ATM-15	Lt. Blue	32V
ATM-20	Yellow	32V
ATM-25	Natural White	32V
ATM-30	Green	32V

Time-Current Characteristic Curves—Average Melt



Recommended Bussmann Fuseholders

Blade-Type	Part	Description	Fuse Size	Wire Size
ATM	HHM	Fuseholder w/Cover	3-30 Amps	#12 Lead Wire; 4" Length
	HHM-B	Body Only		
	HHM-C	Cover Only	—	—
	HHL	Fuseholder w/Cover	2-20 Amps	#16 Lead Wire; 4" Length
	HHL-B	Body Only		

PACKAGING CODE

Packaging Code	Description
Blank	5 pieces of fuses packed in a tin
BK	500 pieces of fuses packed in a carton

North America

Cooper Electronic Technologies
1225 Broken Sound Parkway NW
Suite F
Boca Raton, FL 33487-3533
Tel: 1-561-998-4100
Fax: 1-561-241-6640
Toll Free: 1-888-414-2645

Cooper Bussmann
P.O. Box 14460
St. Louis, MO 63178-4460
Tel: 1-636-394-2877
Fax: 1-800-544-2570

Europe

Cooper Electronic Technologies
Cooper (UK) Limited
Burton-on-the-Wolds
Leicestershire • LE12 5TH UK
Tel: +44 (0) 1509 882 737
Fax: +44 (0) 1509 882 786

Cooper Electronic Technologies
Avda. Santa Eulalia, 290
08223
Terrassa, (Barcelona), Spain
Tel: +34 937 362 812
+34 937 362 813
Fax: +34 937 362 719

Asia Pacific

Cooper Electronic Technologies
1 Jalan Kilang Timor
#06-01 Pacific Tech Centre
Singapore 159303
Tel: +65 278 6151
Fax: +65 270 4160

Mouser Electronics

Authorized Distributor

Click to View Pricing, Inventory, Delivery & Lifecycle Information:

Eaton:

[BK/ATM-20](#) [BK/ATM-2](#) [BK/ATM-3](#) [BK/ATM-7-1/2](#) [BK/ATM-5](#) [BK/ATM-4](#) [BK/ATM-30](#) [BK/ATM-25](#) [BK/ATM-15](#)
[BK/ATM-10](#) [BK/ATM-TAP](#) [BP/ATM-TAP](#) [BP/ATM-10-RP](#) [ATM-ID-SK](#) [BK/ATM-10ID](#) [BK/ATM-20ID](#) [VP/ATM-20ID](#)
[BP/ATM-5](#) [BP/ATM-3](#) [BP/ATM-20ID](#) [BP/ATM-3ID](#) [ATM-5LP](#) [VP/ATM-15ID](#) [VP/ATM-30ID](#) [BP/ATM-2](#) [BP/ATM-25ID](#)
[BP/ATM-10ID](#) [BK/ATM-15ID](#) [BK/ATM-30ID](#) [BP/ATM-5ID](#) [BP/ATM-25](#) [BP/ATM-4](#) [BP/ATM-20](#) [BP/ATM-10](#)
[VP/ATM-25ID](#) [BK/ATM-25ID](#) [BP/ATM-7-1/2](#) [BP/ATM-7-1/2ID](#) [BP/ATM-30](#) [BP/ATM-15ID](#) [BP/ATM-30ID](#) [BP/ATM-15](#)
[VP/ATM-10ID](#)