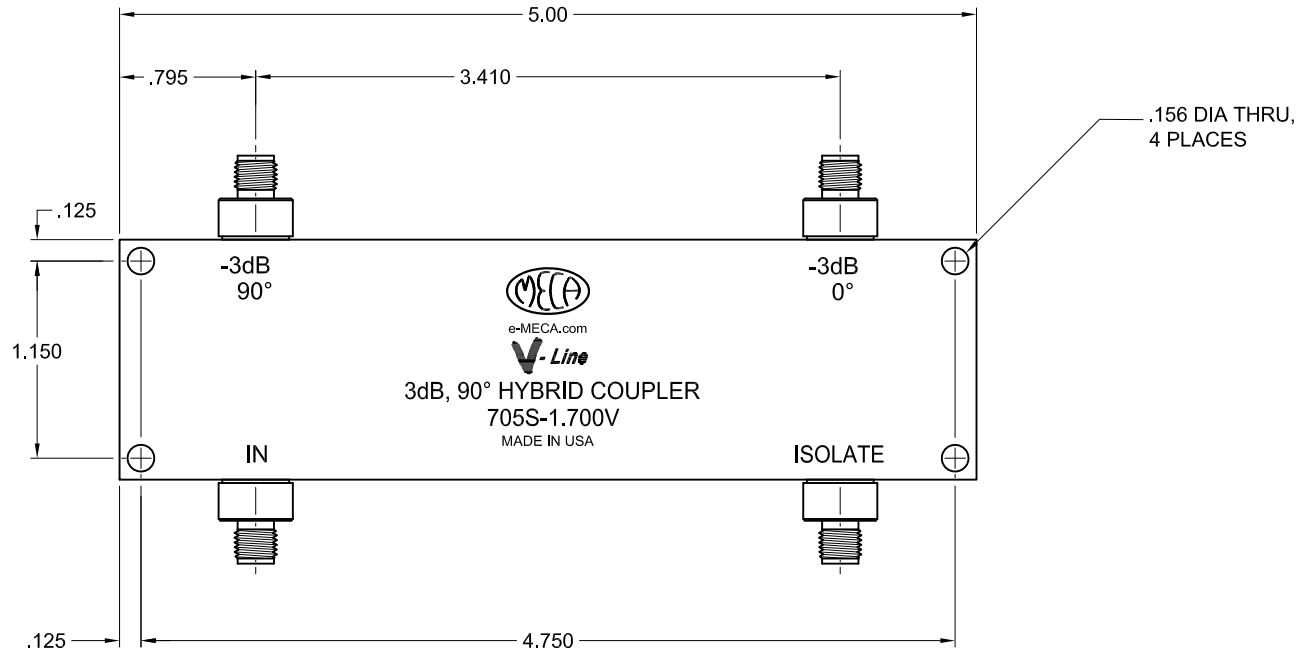
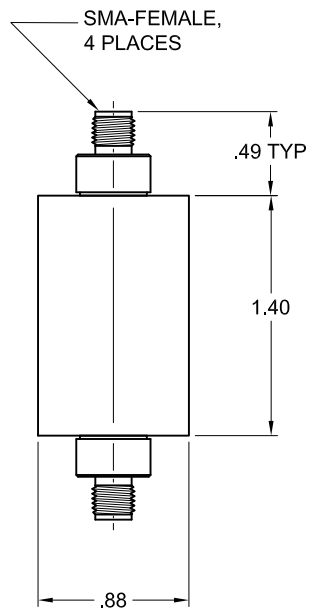



ELECTRICAL SPECIFICATIONS

FREQUENCY RANGE (GHz):	0.698 - 2.700
IMPEDANCE (NOMINAL):	50 Ohms
VSWR (MAX):	1.30:1
COUPLING:	3.25 ± 0.75 dB
(INCLUDES ALL VARIATIONS)	
ISOLATION (dB):	25 TYP/20 MIN
PHASE BALANCE:	5 DEGREES
POWER (AVG):	100 WATTS
PEAK:	2.5 kW

MECHANICAL SPECIFICATIONS

CONNECTORS:	SMA-FEMALE, STAINLESS STEEL, PASSIVATE
CONTACT PINS:	BERYLLIUM COPPER, SILVER PLATE
HOUSING:	ALUMINUM, RoHS COMPLIANT IRIDITE
INSULATORS:	PTFE, VIRGIN ELECTRICAL GRADE
TEMPERATURE:	-55°C TO 85°C
WEIGHT:	12.1 oz.



D		SEE DCN #110518	05/23/11	JT	EB	MATERIAL: SEE ABOVE		UNLESS OTHERWISE SPECIFIED, DIMENSIONS ARE IN INCHES		 ELECTRONICS, INC. DENVER, NEW JERSEY e-MECA.com	TITLE 3 dB 90° HYBRID COUPLER, SMA-FEMALE CONNECTORS		
C		SEE DCN #091006-7	10/07/09	AC	RR	FINISH: SEE ABOVE		TOLERANCES 2 PLACES: ±.02 3 PLACES: ±.010 ANGLES: N/A					
B		SEE DCN #071023-8	10/26/07	NL	RR	DRAWN: NL	DATE: 07/18/07	TIR: N/A		CODE IDENT. NO. DRAWING NO. REV 22424 705S-1.700V D			
LTR	PG	DESCRIPTION	DATE	DR	APP	APPROVED: JS	DATE: 07/18/07	SCALE: NTS	SIZE A				
						SHEET: 1 OF 1							