

REVISIONS			
REV.	DESCRIPTION	DATE	APPROVED
1	initial	12/23/2015	Chad

1. INTERFACE DIMENSIONS CONFORMABLE TO THE STANDARDS: IEC 169-16

2. MATERIAL AND PLATING:

1	Body	Brass, White Bronze plated
2	Insulator	PTFE
3	Center contact	Brass, silver plated

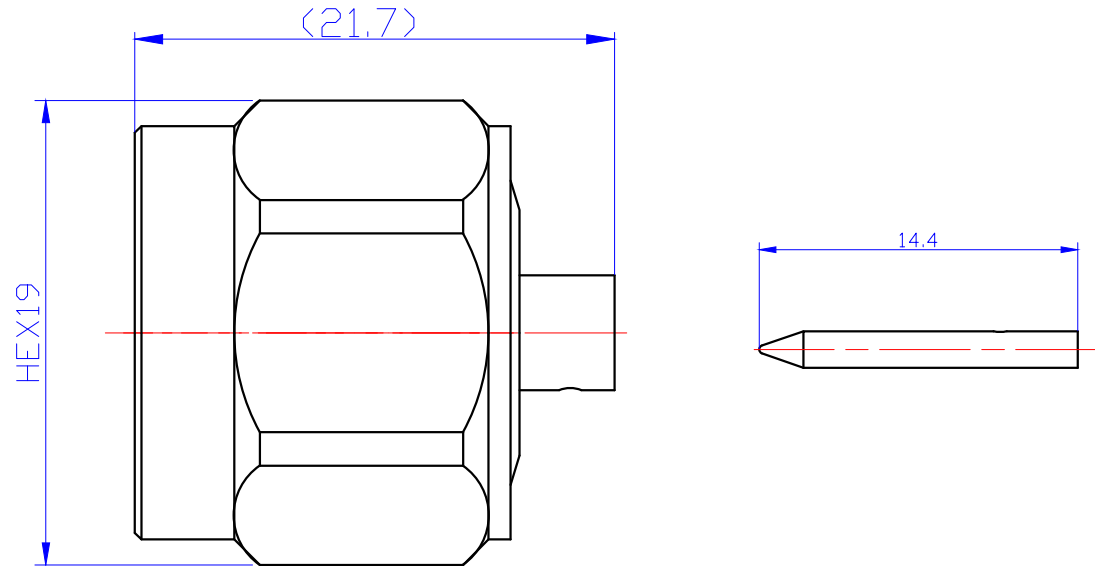
3. ELECTRICAL DATA :

1	Impedance	50 Ω
2	Frequency range	DC-2.7GHz
3	VSWR	≤1.12
4	IM5	≤-160dBc @2×20W
5	Dielectric withstanding voltage	1500V
6	Insulation resistance	≥5000MΩ
7	Contact resistance:	
	centre contact	≤1.0mΩ
	outer contact	≤1.0mΩ

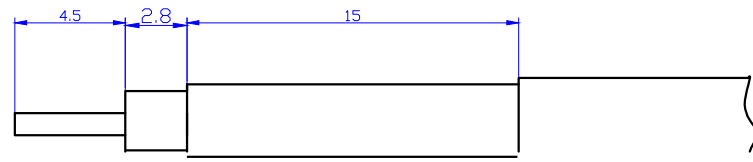
4. MECHANICAL DATA :

1	Hardiness	at least 500 times for drawing
---	-----------	--------------------------------

5. Temperature range for operation of the connector: -40~85°C



Stripping:



CONFIDENTIAL AND PROPRIETARY
 THE INFORMATION CONTAINED HEREIN IS THE CONFIDENTIAL AND THE EXCLUSIVE PROPERTY OF TESSCO TECHNOLOGIES INCORPORATED. THIS DOCUMENT, AND THE INFORMATION CONTAINED HEREIN, SHALL NOT BE COPIED, REPRODUCED, PUBLISHED, DISPLAYED OR DISTRIBUTED, IN WHOLE OR IN PART IN ANY MEDIUM, BY ANY MEANS, FOR ANY PURPOSE WITHOUT THE EXPRESS WRITTEN CONSENT OF TESSCO TECHNOLOGIES INCORPORATED.
 ©2010 TESSCO TECHNOLOGIES INCORPORATED
 ALL RIGHTS RESERVED

UNLESS OTHERWISE SPECIFIED:	DRAWN	
TOLERANCES:	RESP ENG	
±.XX = ±.01	APPR.	
±.XXX = ±.005	APPR.	
±.XXXX = ±.0001		
±.XX° = ±1.0	MATERIAL:	SEE NOTES
CAD FEATURES ARE BASIC:	FINISH:	SEE NOTES
⓪.005 A B C		
DIMENSIONS ARE IN MM	SIZE	CAGE CODE
INTERPRET GEOMETRIC TOLERANCING PER ANSI Y14.5 - 2009	B	8J168
3RD ANGLE PROJECTION		

ventev[®]
 A Division of Tessco Technologies Incorporated

TITLE:
NM for semi-flex141 cable

DWG. NO. 552976	REV 1
---------------------------	-----------------

DO NOT SCALE DRAWING SCALE: 1:5 SHEET 1 OF 1

ers