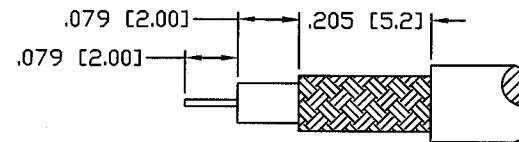
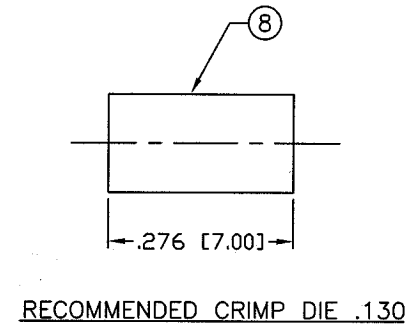
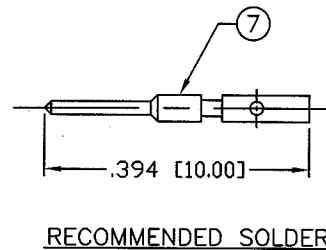
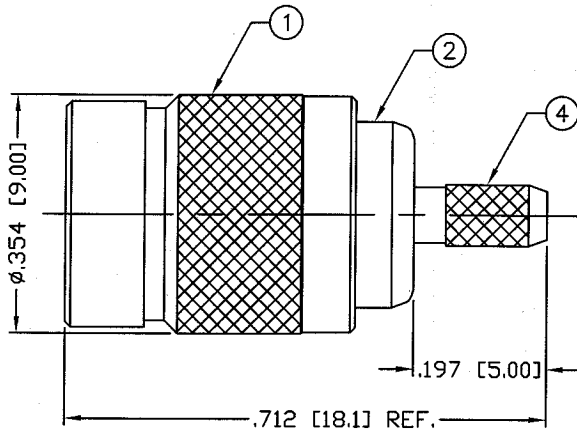


THIS DRAWING CONTAINS INFORMATION PROPRIETARY TO RF INDUSTRIES.
 ANY UNAUTHORIZED USE OF THIS DRAWING IS EXPRESSLY PROHIBITED
 WITHOUT WRITTEN PERMISSION FROM RF INDUSTRIES.
 ANY VIOLATION IS PUNISHABLE UNDER U.S. COPYRIGHT LAWS.

ALL DIMENSIONS ARE REFERENCE ONLY

PART NO.		RF123-7000-B		
REV	DESCRIPTION	DWN	DATE	APPROVED
A	ENGINEERING RELEASE	GGG	3/20/00	JDMc



RECOMMENDED STRIPPING DIM'S

SPECIFICATIONS:

IMPEDANCE: 50 Ohms
 FREQUENCY RANGE: 0-10 GHz
 WORKING VOLTAGE: 250 V rms @ sea level
 TEMPERATURE RANGE: -65°C TO 155°C

FOR RG-174, 188, 188A, 316/U, ALPHA 9174, 9316,
 BELDEN 8216, 83269, 83284, 84316 & TIMES LMR-100A CABLE

1	SHELL	1	BRASS	NICKEL, 100μ"	008974
2	BODY	1	BRASS	NICKEL, 100μ"	
3	SPRING	1	Be.Cu.	---	
4	FERRULE STUD	1	BRASS	NICKEL, 100μ"	
5	INSULATOR	1	PTFE	---	
6	GROUND RING	1	PHOS BRONZE	GOLD, 10 μ"	
7	PIN	1	BRASS	GOLD, 30 μ"	
8	FERRULE	1	COPPER	NICKEL, 100μ"	
9					
10					
11					
12					
13					
14					
#	DESCRIPTION	QTY	MATERIAL	FINISH	APPROVALS

DRAWN	G. GALLEGOS	1/14/01
CHECKED	JDMc	1-14-01
ORJ DRAWN	G. GALLEGOS	1/14/01
APPROVALS	DATE	

UNLESS OTHERWISE SPECIFIED:
 1. REMOVE ALL BURRS
 2. BREAK ALL CORNERS & EDGES .005 R. MAX.
 3. CHAMFER 1ST & LAST THREADS 45°
 4. SURFACE ROUGHNESS 63 FINISH MIL-STD-10
 5. DIAMETERS ON COMMON CENTERS TO BE CONCENTRIC WITHIN .002 T.I.R.
 6. ALL DIMENSIONS ARE AFTER PLATING.

DIMENSIONS ARE IN INCHES AND [MILLIMETERS]
 UNLESS OTHERWISE NOTED TOLERANCES ARE:
 DECIMALS DIAMETER
 .xxx±.003 [.08] .xxx±.001 [.03]
 .xx±.005 [.13] .xx±.003 [.08]



7610 MIRAMAR RD
 SAN DIEGO, CA 92126
 (858) 549-6340
 (858) 549-6345 FAX

1.0/2.3 CRIMP PLUG

SIZE	CABLE GROUP	DWG NO.	REV
A	B	RF123-7000-B	A
SCALE: NTS		CAD FILE OUTLINE	SHEET 1 OF 1