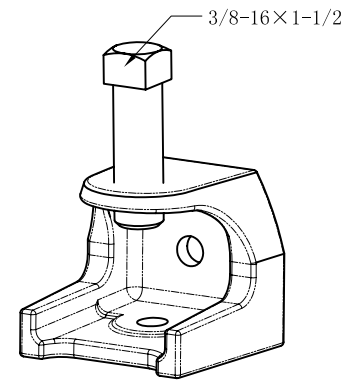
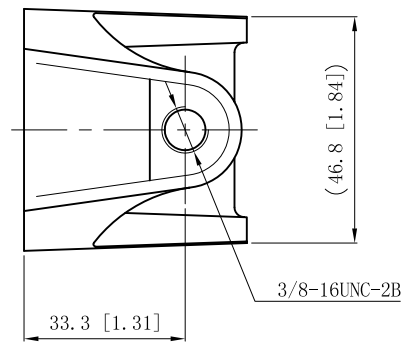
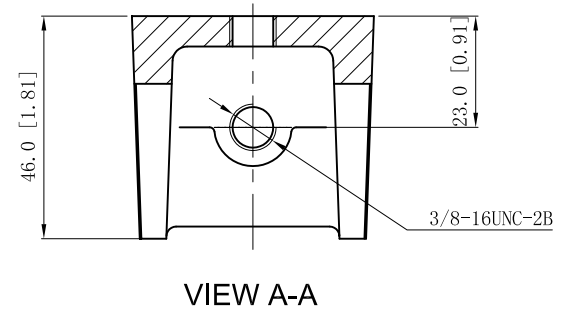
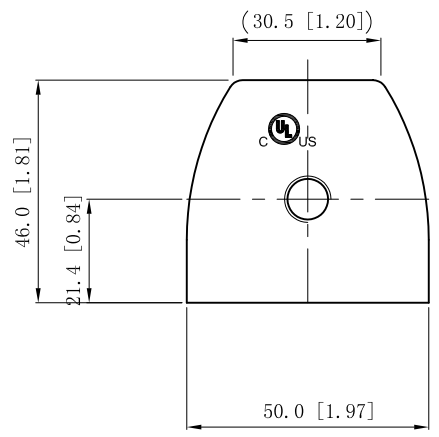
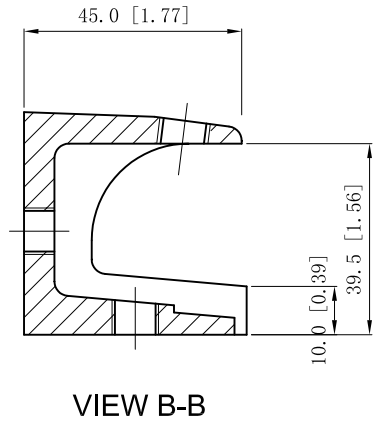
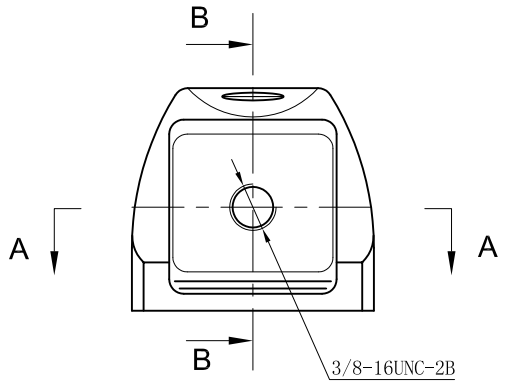


SIDES	BOTTOM
1 PCS 3/8-16×1 1/2 Screws Installed	
Material:Steel-Malleable Casting Galvanized	



This data sheet is for reference only .GARVIN INDUSTRIES reserves the right to make changes to the design without prior notice.

DESCRIPTION
TRADE REFERENCE TERMS

STANDARD PACKING
25 PCS

<b>GARVIN INDUSTRIES</b>	
TITLE <b>MALLEABLE IRON BEAM CLAMPS</b>	
SIZE A4	DWG NO. MBC-3816
DATA SHEET	
	REV B