

DRAWING NO.
SE206158

7

6

5

4

3

2

1

** TABLE 1 **

CATALOG NUMBER	ACCOMMODATES		H	J	W	RECOMMENDED TIGHTENING TORQUE
	I.P.S.	O.D. SIZE				
GAR3902TC	1/2"-1"	.840-1.32 [21-34]	3.50 [89]	3/8"-16" [N/A]	3.75 [95]	240 IN*LBS [27.1 N*m]
GAR3903TC	1-1/4"-2"	1.66-2.38 [43-61]	4.00 [102]		4.75 [121]	
GAR3904TC	2-1/2"-3-1/2"	2.88-4.00 [73-102]	6.50 [165]		6.50 [165]	
GAR3905TC	4"-5"	4.50-5.56 [114-141]	7.50 [191]		8.00 [203]	
GAR3906TC	6"	6.62 [168]	8.50 [216]		9.50 [241]	

** TABLE 2 **

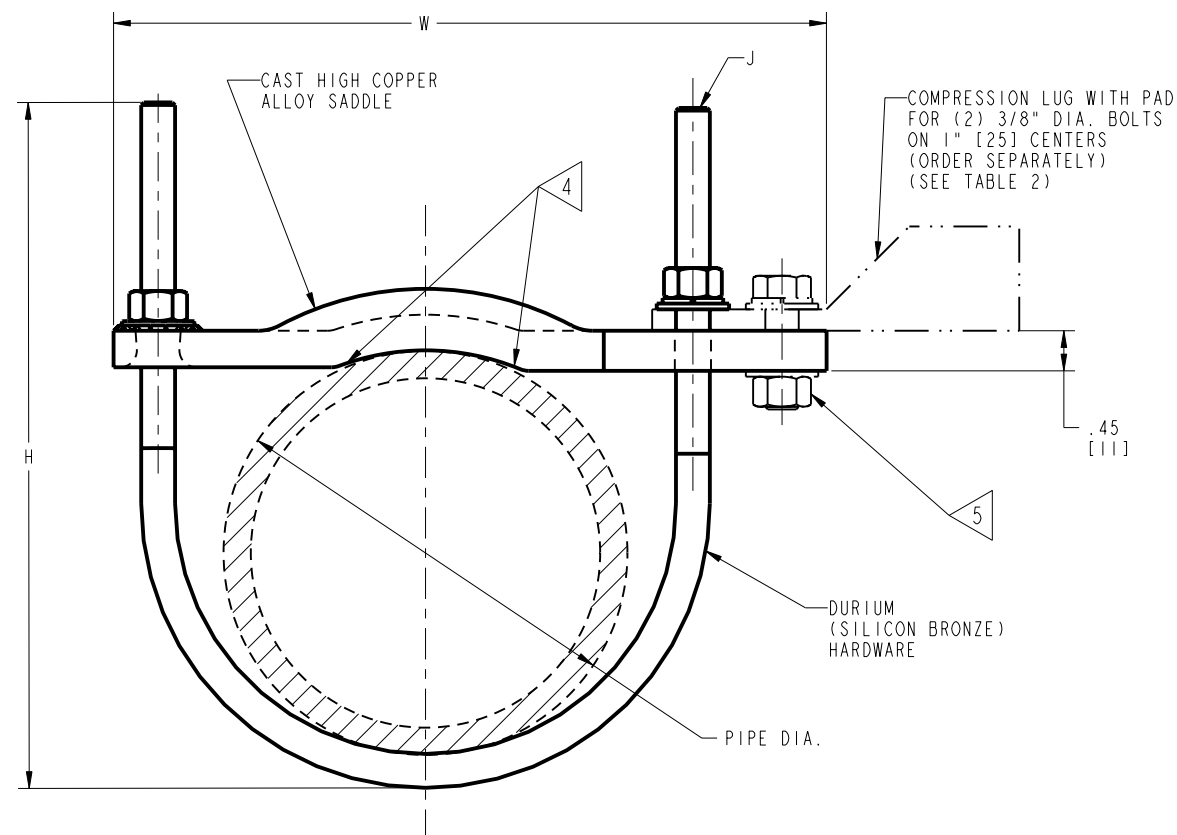
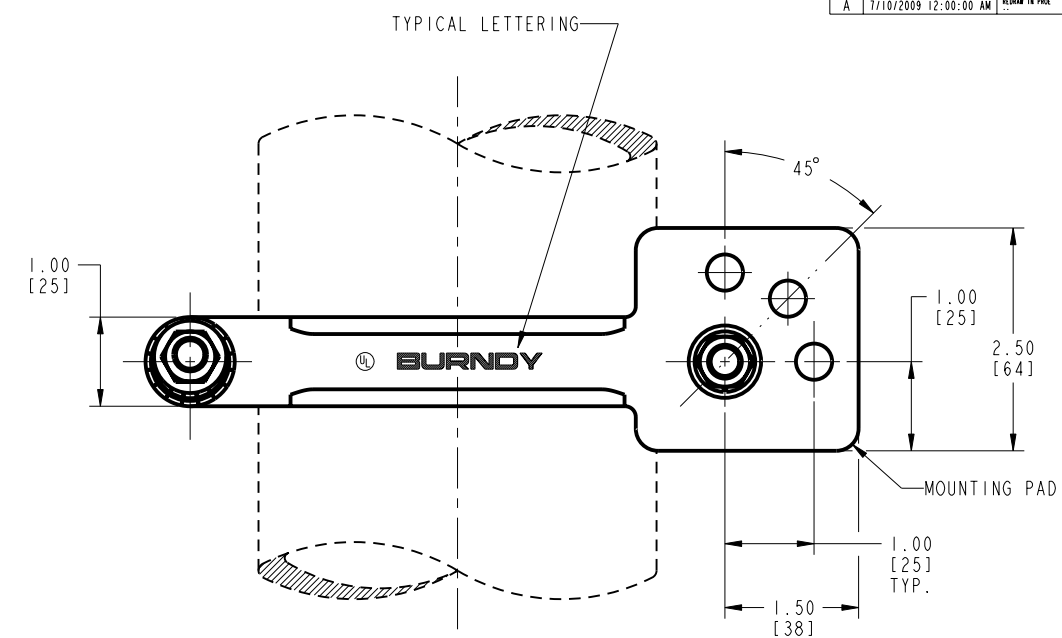
CONNECTOR TERMINAL GUIDE			INSTALLATION GUIDE TOOLS AND DIES									
GROUND CONDUCTOR (CODE)		CATALOG NO.	BURNDY DIE INDEX	COLOR CODE	T AND B		BURNDY					
AWG	METRIC WIRE SIZE				DIE CODES		HYPRESS TOOLS, DIES, (*)CRIMPS					
					15 TON TBM 15	12 TON TBM 12	Y750 Y35 Y39	* Y45	* Y46	* DIELESS	*	
#10-14	4mm ² STR-2.5mm ²	YAV102TC38	-	-	-	-	-	-	-	-	Y8HR8-1	1
#8SOL/STR	---	YA8CL2TC38	49	RED	21	21	U8CRT	1	U8CRT	1	U8CRT	1
#6 STR	---	YA6CL2TC38	7	BLUE	24	24	U5CRT	1	U5CRT	1	U5CRT	1
#4 STR	---	YA4CL2TC38	8	GRAY	29	29	U4CRT	1	U4CRT	1	U4CRT	1
#3 STR / 2 SOL	35mm ² STR	YA3CL2TC38	9	WHITE	-	-	U3CRT	1	U3CRT	1	U3CRT	1
#2 STR	35mm ² STR	YA2CL2TC38	10	BROWN	33	33	U2CRT	1	U2CRT	1	U2CRT	1
#1 STR	---	YA1CL2TC38	11	GREEN	37	37	U1CRT	1	U1CRT	1	U1CRT	1
1/0 STR	---	YA25L2TC38	12	PINK	42H	42	U25RT	1	U25RT	1	U25RT	1
2/0 STR	70mm ² STR	YA26L2TC38	13	BLACK	45	45	U26RT	1	U26RT	1	U26RT	1
3/0 STR	---	YA27L2TC38	14	ORANGE	50	50	U27RT	1	U27RT	1	U27RT	1
4/0 STR	---	YA28L2TC38	15	PURPLE	54H	54	U28RT	1	U28RT	1	U28RT	1
250 Kcmil	---	YA29L2TC38	16	YELLOW	62	32	U29RT	1	U29RT	1	U29RT	1
300 Kcmil	150mm ² STR	YA30L2TC38	17	WHITE	66	66H	U30RT	2	U30RT	2	U30RT	2
350 Kcmil	185mm ² STR	YA31L2TC38	18	RED	71H	71H	U31RT	2	U31RT	2	U31RT	2
400 Kcmil	---	YA32L2TC38	19	BLUE	76	76H	U32RT	2	U32RT	2	U32RT	2
500 Kcmil	---	YA34L2TC38	20	BROWN	87H	87H	U34RT	2	U34RT	2	U34RT	2
600 Kcmil	300mm ² STR	YA36L2TC38	22	GREEN	94H	94H	U39RT	2	U39RT	2	U39RT	2
700 Kcmil	---	YA38L2TC38	400	PINK	99H	99H	U38RT	2	U38RT	2	U38RT	2
750 Kcmil	400mm ² STR	YA39L2TC38	24	BLACK	106H	106H	U39RT	2	U39RT	2	U39RT	2

HYPRESS
Y644M
1-CRIMP

NOTES:

- BURNDY® TYPE YA-2TC38, YA-L-2TC38 AND YAV-L-2TC38-FX. ALL -FX, -45, -90 VARIATIONS. (YA39L-2NT38 MAX. SIZE ACCOMMODATED)
- USE CATALOG NO. PT6515 ADAPTER WHEN USING "U" DIES IN Y45 TOOL.
- USE CATALOG NO. P-UADP-1 ADAPTER WHEN "U" DIES IN Y46 TOOL.
- PREPARE PIPE SURFACE TO VIRGIN METAL SHINE UNDER BRASS SADDLE CONTACT AREA. APPLY CLAMP SADDLE TO SHINING METAL SURFACE TIGHTENING TORQUE 240 [N*LBS. [27.1 Nm] SEAL SADDLE PERIMETER BY APPLYING OXIDE INHIBITING COMPOUND, BURNDY PEN-E OR EQUIVALENT.
- DURIUM (SILICON BRONZE) HARDWARE KIT (CAT# TMH289). (ORDER SEPARATELY) INCL: (1) 38x125 HEB (1) 38 CHEN (1) 38 SW (2) 38 FW
- ADD SUFFIX -TNET TO OBTAIN TIN PLATED CONNECTOR (EX. GAR3903-TC-TNET). THESE CONNECTORS INCLUDE TIN PLATED HARDWARE KITS FOR MOUNTING TERMINALS. EXTRA KITS MAY BE ORDERED BY CAT. NO. TMH289ET.
- IF HIGHEST REVISION OF THIS SALES PRINT IS AFFECTED, UPDATE PRINT WSA208758 TO INCLUDE THE NEW REVISION.
- DIMENSIONS IN BRACKETS [] ARE IN MILLIMETERS ROUNDED OFF TO THE NEAREST MILLIMETER, UNLESS OTHERWISE NOTED AND ARE FOR REFERENCE ONLY.
- UL 467 LISTED, FILE NO. E9999. ACCEPTABLE FOR DIRECT BURIAL.

REV	DATE	DESCRIPTION	ECO	BY	CHK
A	7/10/2009 12:00:00 AM	REVISION TO P&P	18319	MB	BSK



TO ORDER BURNDY PRODUCTS CALL 1-800-346-4175 MANCHESTER, NH 03109, USA FOR PRODUCT INFO = http://www.fciconnect.com			
GROUND CLAMP			
ITEM NO:	---		
CAT. NO:	GARTC (SEE TABLE)		
DRAWN BY:	MP	11/15/90	
CHECKER:	ATM	12/05/90	
DSN APPVL:	KW	12/04/90	
MFG APPVL:	---	---	
QA APPVL:	AL	12/05/90	
MKT APPVL:	T.M.	03/21/91	SCALE: 1:1
PROD FAM:	SUBSTATION	DRAWING NO	REV
PROJECT #:	---	SIZE	SE206158
DOCUMENT TYPE:	Sales	D	SHEET 1 OF 1
REL LEVEL:	Released		A

REV: PE0200

8

7

6

5

4

3

2

1