

Introducing the ACS-4 Antenna and RRU Cable Support Bracket

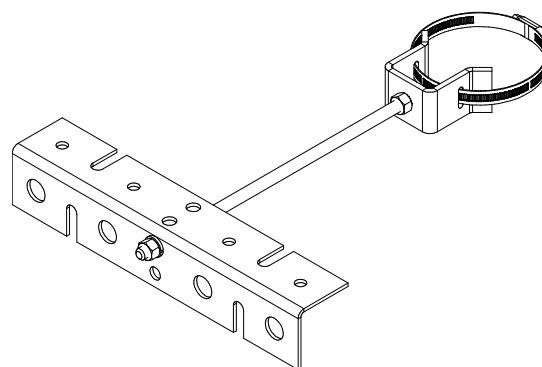
Global Communication

The new CommScope ACS-4 is designed to securely support the Antenna and RRU jumpers and prevent wind, rain, ice and wildlife from straining the equipment connections. The ACS-4 securely mounts to 1.9" - 3.5" antenna pipes and round members with a universal adjustable band clamp. Stand-off length can be easily adjusted to ensure the cable is perfectly supported and in line with the antenna or RRU ports, thus removing any undesired strain. The ACS-4 comes individually packaged for a single antenna and is available from all CommScope Partners.



Product Highlights

- Mounts up to 4 cable supports at 3" (76.2 mm) spacing
- Adjustable stand-off distance
- Quick assembly and adjustment
- Universal mounting solution



Ordering Information:

Please contact your local CommScope representative for more information

Part Number	Description
ACS-4	Cable Support

For further structural support products. Please visit our website at the following link.

<http://www.commscope.com/steel>