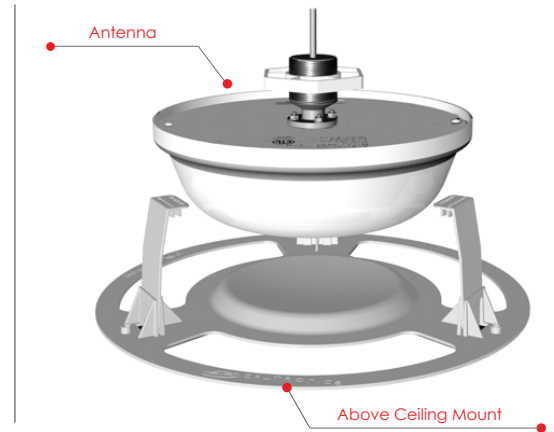


Above Ceiling Mount for PEAR™ M5542, M6319

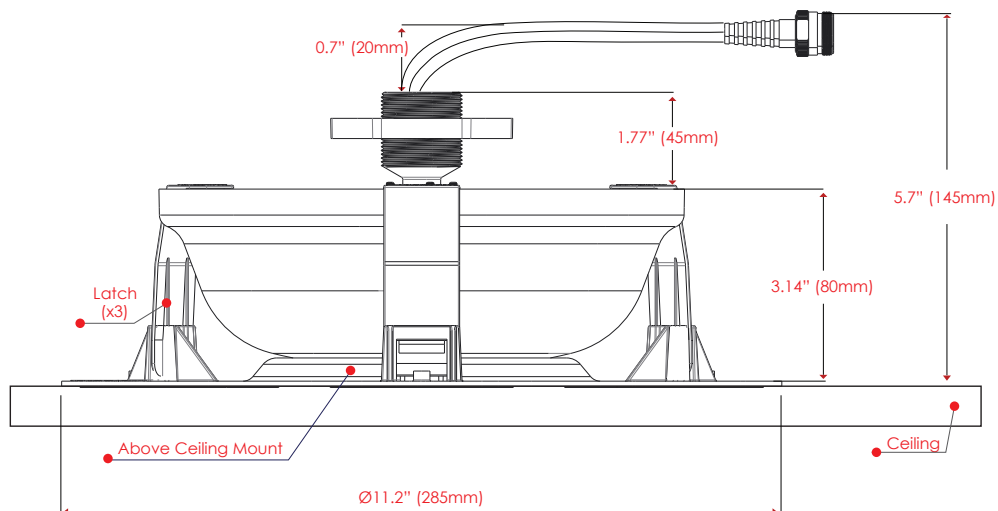
Above Ceiling Installation

DESCRIPTION:

Galtronics' above ceiling mount offers an easy installation solution to mount Galtronics' PEAR™ M5542, M6319 antennas above suspended ceilings. Mounting hardware is not included. Make sure the selected fasteners are appropriate based on the ceiling material to which the above ceiling mount is attached to.



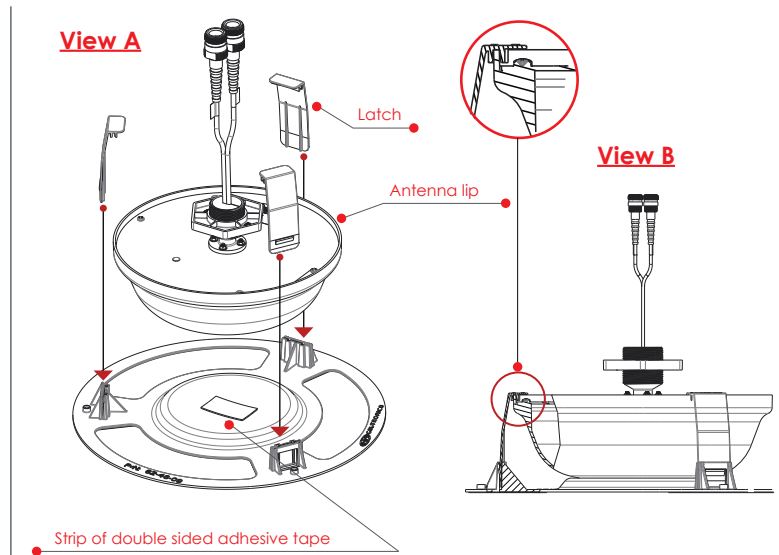
Specifications	
Environmental Conditions	Indoor
Weight	0.34 lbs (155 g)
Diameter	11.2" (285mm)
Height	3.14" (80mm)
Above Ceiling Mount Color	White
Above Ceiling Material	PC/ABS
Clearance Above Ceiling Needed	(5.7"/145mm)
Mounting Hardware to Ceiling	<i>Not Included</i>
Approved for Installation in Plenum Space	Listed & tested by Intertek/ETL
Shipping Dimensions 1 unit (L x W x D)	11.2 x 11.2 x 1.0" (285 x 285 x 25mm)



Assembly Instructions for M5542, M6319 Above Ceiling Mount:

A. Attach antenna to the above ceiling mount.

- Remove the protective film from the double sided tape strips located inside the center of the plastic support.
- Set the antenna at the center of the plastic support and press together firmly.
- Attach the plastic Latch to the adapter plate, until a "click-sound" can be heard. (see View A)
- Verify that the Latch is placed on the antenna lip, and supports it from both sides. (see Views A & B)



B. Attach antenna to the above ceiling mount.

- Place the above ceiling mount with the antenna above the suspended ceiling and use either option:
- **Option 1:** Remove the protective film on the adhesive strips located at the bottom of the plastic support and firmly press on to the ceiling.
- **Option 2:** Use 3 head screws 1/8" (3mm) diameter suitable for the ceiling material (not provided).

