

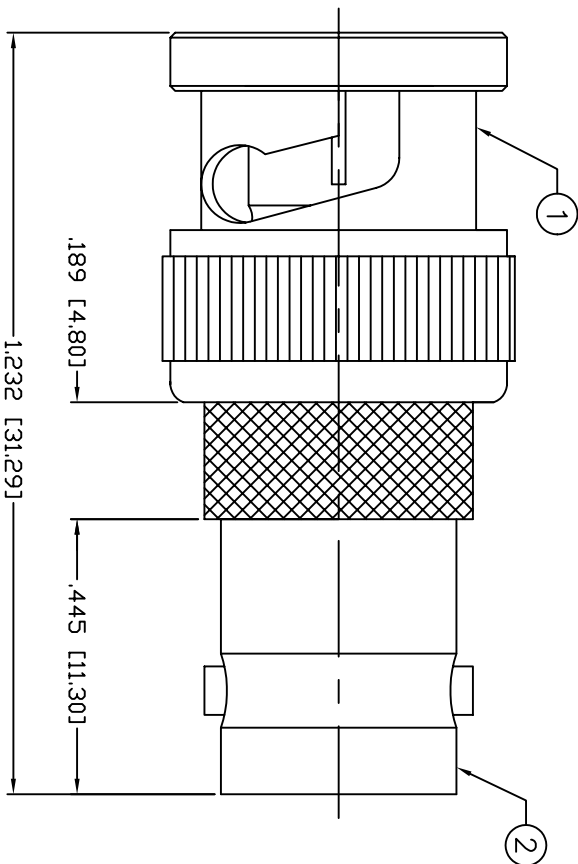
THIS DRAWING CONTAINS INFORMATION PROPRIETARY TO RF INDUSTRIES.
 ANY UNAUTHORIZED USE OF THIS DRAWING IS EXPRESSLY PROHIBITED.
 WITHOUT WRITTEN PERMISSION FROM RF INDUSTRIES.
 ANY VIOLATION IS PUNISHABLE UNDER U.S. COPYRIGHT LAWS.

ALL DIMENSIONS ARE REFERENCE ONLY

PART NO.

RFB-1138

REV	DESCRIPTION	DWN	DATE	APPROVED
-	ENGINEERING RELEASE		CZS 11/11/98	JDMc



SPECIFICATIONS:

IMPEDANCE: 50 Ohms
 FREQUENCY RANGE: 0-4 GHz
 WORKING VOLTAGE: 500 V rms @ sea level

#	DESCRIPTION	QTY	MATERIAL	FINISH
1	SHELL	1	BRASS	NICKEL, 100 μ"
2	BODY	1	BRASS	NICKEL, 100 μ"
3	INSULATOR	1	DELRIN	---
4	GASKET	1	RUBBER	---
5	RETAINING RING	1	BRASS	NICKEL, 100 μ"
6	SPRING	1	SK5	NICKEL, 100 μ"
7	WASHER	1	BRASS	NICKEL, 100 μ"
8	CONTACT	1	BRASS	GOLD, 3 μ"
9				
10				
11				
12				

000494

APPROVALS	DATE
ORU DRAWN C. ZUNIGA	1/19/05
CHECKED	
DRAWN C. ZUNIGA	1/19/05

UNLESS OTHERWISE SPECIFIED:

DIMENSIONS ARE IN INCHES
 AND [MILLIMETERS]
 UNLESS OTHERWISE NOTED
 TOLERANCES ARE:
 DECIMALS DIAMETER

RF connectors
 DIVISION OF RF INDUSTRIES, LTD.
 7610 MIRAMAR RD
 SAN DIEGO, CA 92126
 (858) 549-6340
 (858) 549-6345 FAX

**BNC PLUG TO
 BNC JACK ADAPTER**

SIZE	CABLE GROUP	DWG NO.	REV
A	N/A	RFB-1138	-
SCALE:	NTS	CAD FILE	OUTLINE
SHEET	1	OF	1