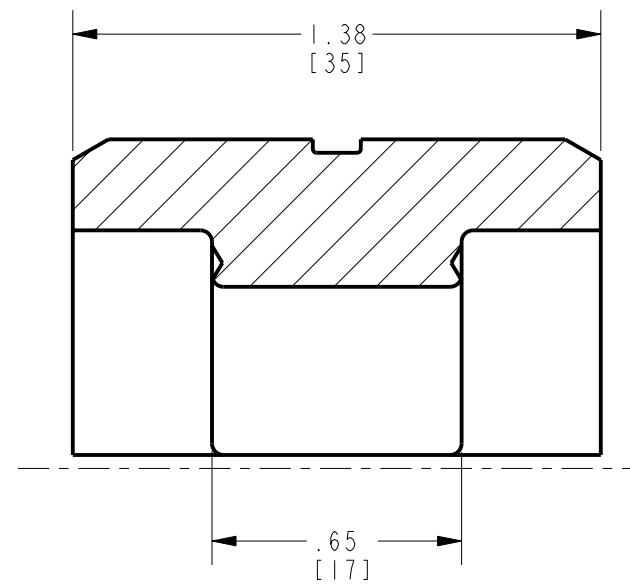
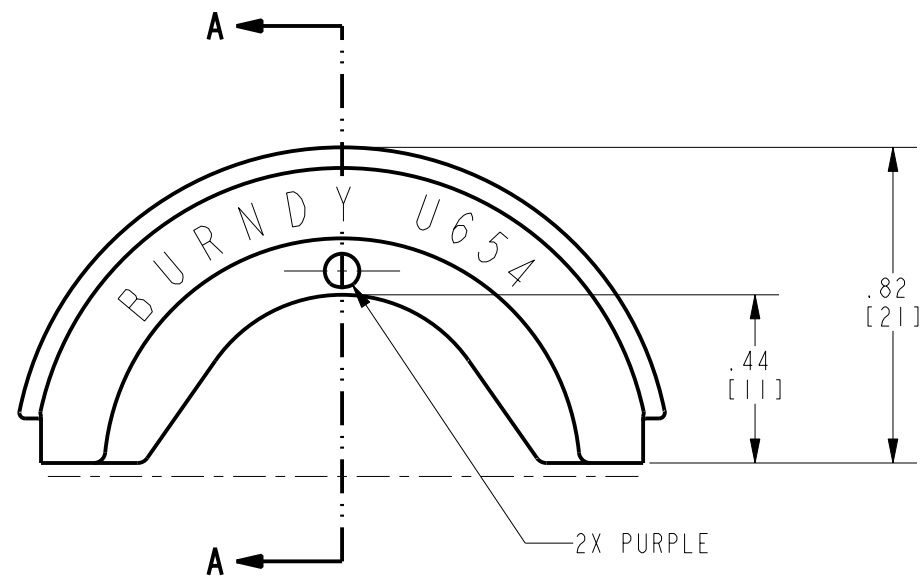
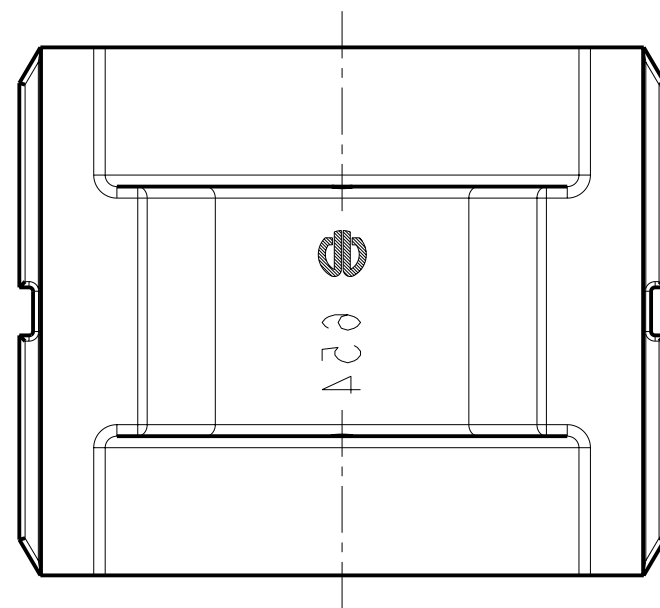
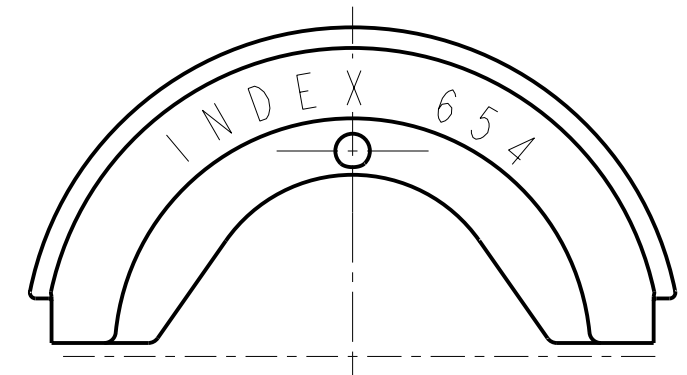


REV.	DATE	DESCRIPTION	ECO	BY	C'H'K.
A	11/18/2009 4:00:00 PM	INDIVIDUAL SALES DRAWING RELEASED	19517	RM	JG



SECTION A-A



NOTES:

1. DIMENSIONS IN [] BRACKETS ARE IN MILLIMETERS, ROUNDED OFF TO THE NEAREST MILLIMETER, UNLESS OTHERWISE NOTED. METRIC DIMENSIONS ARE FOR REFERENCE ONLY.
2. DIE INSPECTION GAGE CATALOG NUMBER (CUSTOMER & ENGINEERING ONLY): N/A
3. MATERIAL: STAINLESS STEEL

TO ORDER BURNDY® PRODUCTS CALL

UNITED STATES:
1-800-346-4175 (LONDONDERRY, NH)

CANADA:
1-800-361-6975 (QUEBEC)
1-800-387-6487 (ALL OTHER PROVINCES)

FOR PRODUCT INFO: <http://www.burndy.com>

RADIAL BUTTING TWIN DIE

ITEM NO: N/A	SCALE: 1:1	
CAT. NO: U654	DRAWING NO	REV
DRAWN BY: R. MURUGESAN 11/18/09	10109448	A
CHECKER: --	SHEET 1 OF 1	
DSN APPVL: --	B	
MFG APPVL: --	A	
QA APPVL: --	A	
MKT APPVL: --	A	
PROD FAM: TOOLS_HYDRAULIC/U_DIE	A	
PROJECT #: --	A	
DOCUMENT TYPE: Sales	A	
REL LEVEL: Released	A	



REV: PE0200