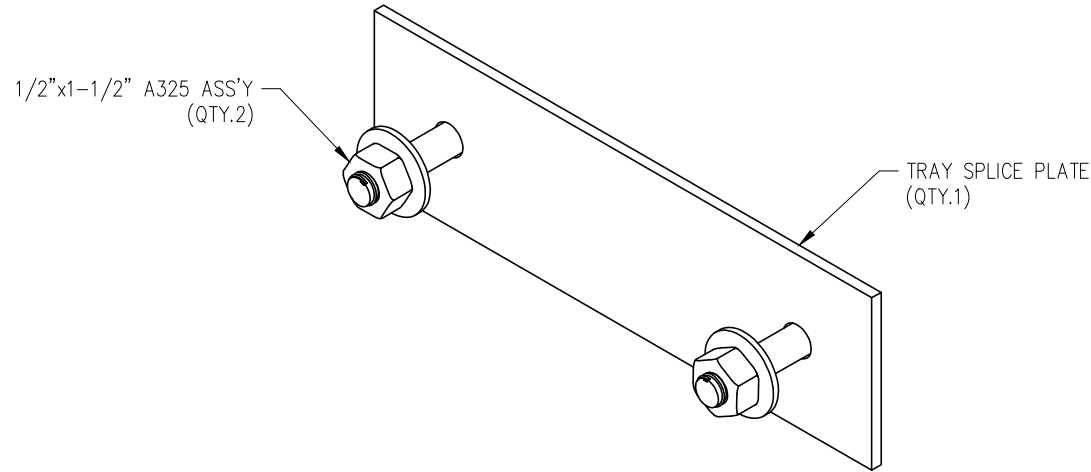



TRAY SPLICE ASSEMBLY

KIT NUMBER 5.951.0002.001



TRAY SPLICE ASSEMBLY (5.951.0002.001)

- (1) 3.951.0014.005 TRAY SPLICE PLATE
- (2) 1202021 1/2" x 1-1/2" A325 ASS'Y

									
A	AJM	MRH	ISSUED FOR DISTRIBUTION	31 JAN 05	CUSTOMER:	SITE:	SCALE: NTS		
REV.	REV. BY:	CHK. BY:	DESCRIPTION	DATE	DATE: 9 DEC 02	BY: DM	CHK: MRH	APP: BCP	
COPYRIGHT HEREIN IS THE PROPERTY OF TRYLON MANUFACTURING COMPANY LTD. ALL DUPLICATION, RECORDING, DISCLOSURE OR USE IS PROHIBITED WITHOUT WRITTEN CONSENT OF TRYLON MANUFACTURING COMPANY LTD.					TITLE: TRAY SPLICE ASSEMBLY				DRAWING NO. 951.0002.001