

CM-30T-72

Chain Mount Kit, 8 ft chain, includes pipe

Product Classification

Product Type Chain mount kit

General Specifications

Chains, quantity 2

Pipe, quantity 3

Sectors, quantity 3

Dimensions

Height 152.4 mm | 6 in

Width 203.2 mm | 8 in

Chain Length 2,400.3 mm | 94.5 in

Length 1,828.8 mm | 72 in

Pipe Length 1,828.8 mm | 72 in

Mounting Diameter, maximum 762 mm | 30 in

Mounting Diameter, minimum 203.2 mm | 8 in

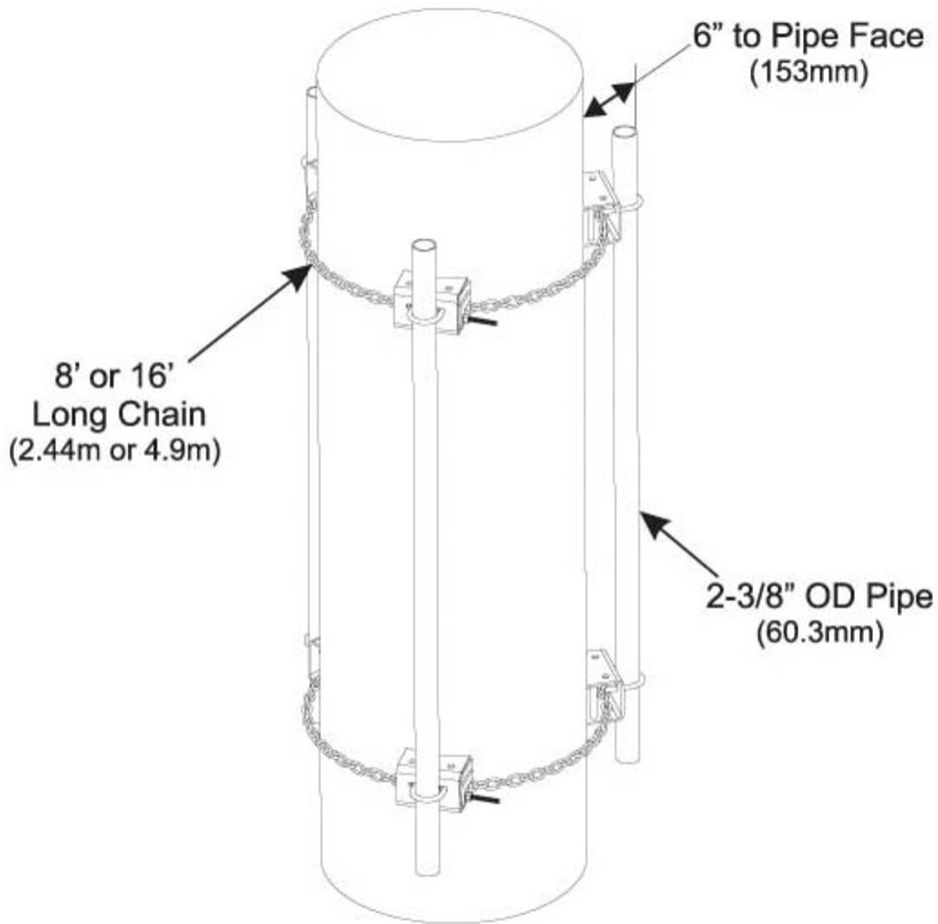
Pipe Outer Diameter 60.96 mm | 2.4 in

Mounting Circumference, maximum 2,392.68 mm | 94.2 in

Mounting Circumference, minimum 635 mm | 25 in

CM-30T-72

Outline Drawing



Material Specifications

Material Type Hot dip galvanized steel

Mechanical Specifications

Wind Rating 120 mph (BWS) at 100 ft AGL

Wind Rating Criteria One 96 in x 10 in panel antenna per sector

Wind Rating Test Method TIA/EIA-222

Environmental Specifications

Man Rating 250 lb vertical man load at 15 mph (BWS)

CM-30T-72

Packaging and Weights

Included	Chains Plain end pipes
Packaging quantity	1
Weight, net	51.6 kg 113.758 lb

Regulatory Compliance/Certifications

Agency	Classification
ISO 9001:2015	Designed, manufactured and/or distributed under this quality management system



Included Products

- CM-30T-B — Chain Mount Base Kit, 8 ft chain
- MT-651 — Plain End Pipe, 2-3/8 in OD x 72 in

* Footnotes

Man Rating	BWS—w Base Wind Speed
Wind Rating	BWS—w Base Wind Speed; FBC—Florida Building Code