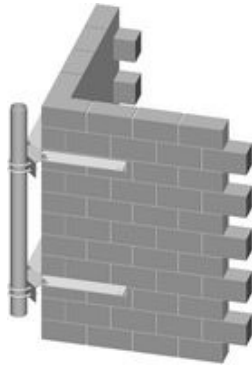


POWERED BY



CW-M4-96

Corner Wall Mount, 4-1/2 in OD x 96 in pipe

Dimensions

| | |
|---------------------|---------------------|
| Height | 609.6 mm 24.0 in |
| Length | 2438.4 mm 96.0 in |
| Pipe Outer Diameter | 114.3 mm 4 1/2 in |
| Width | 1219.2 mm 48.0 in |
| Weight | 86.7 kg 191.2 lb |

Environmental Specifications

| | |
|-------------|--|
| Wind Rating | For specifications—contact 1-800-255-1479 (North America), 1-779-435-6500 (International), or a CommScope representative |
|-------------|--|

General Specifications

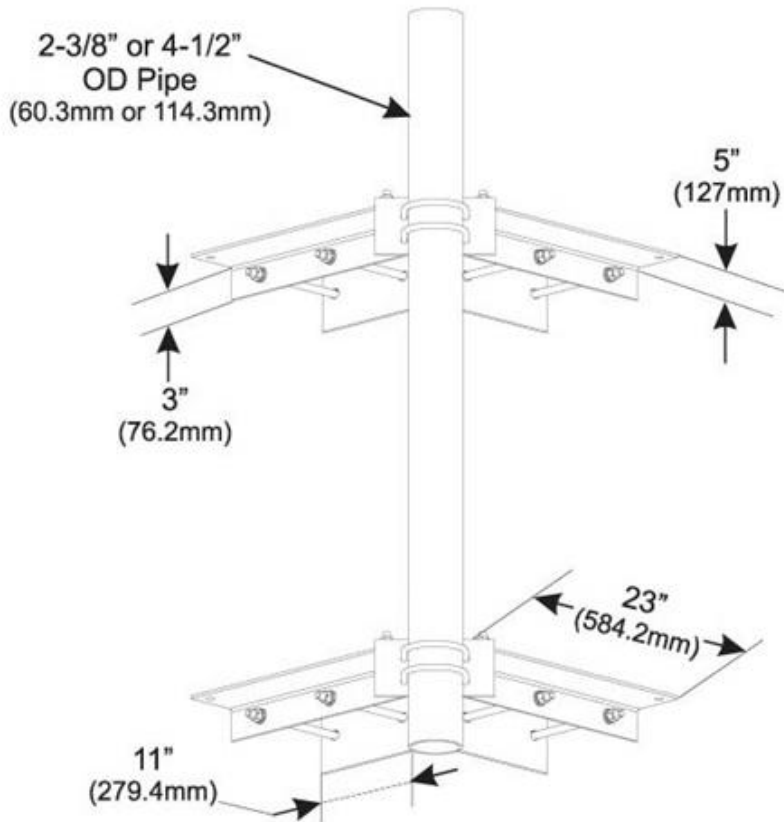
| | |
|------------------|---|
| Product Type | Wall mount |
| Mounting | Walls |
| Includes | Brackets, two Pipe mounts Wall mount hardware |
| Material Type | Hot dip galvanized steel |
| Package Quantity | 1 |
| Pipe Length | 2438.4 mm 96.0 in |
| Pipe, quantity | 1 |

CW-M4-96

POWERED BY



Outline Drawing



Regulatory Compliance/Certifications

Agency

ISO 9001:2008

Classification

Designed, manufactured and/or distributed under this quality management system

Included Products

MT-654-96 — Plain End Pipe, 4-1/2 in OD x 96 in

* Footnotes

Wind Rating

BWS—Base Wind Speed; FBC—Florida Building Code