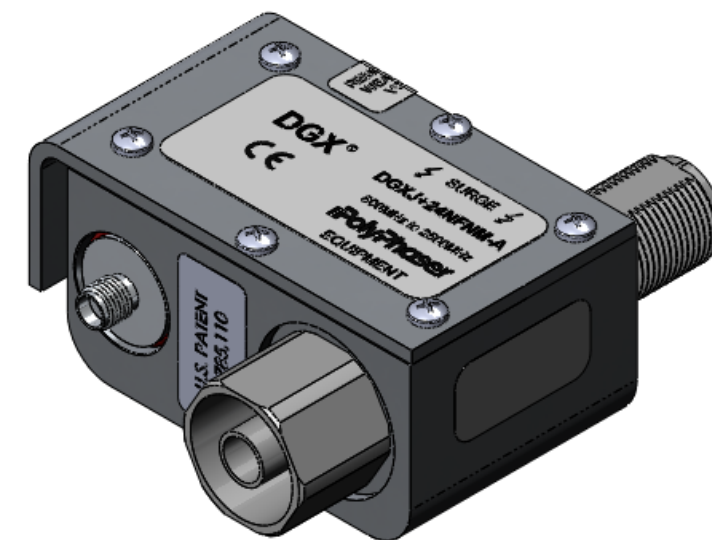
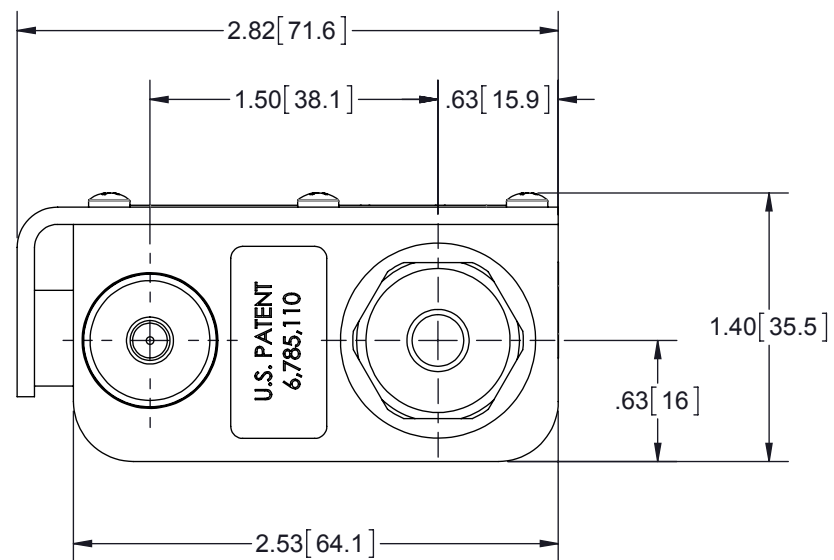
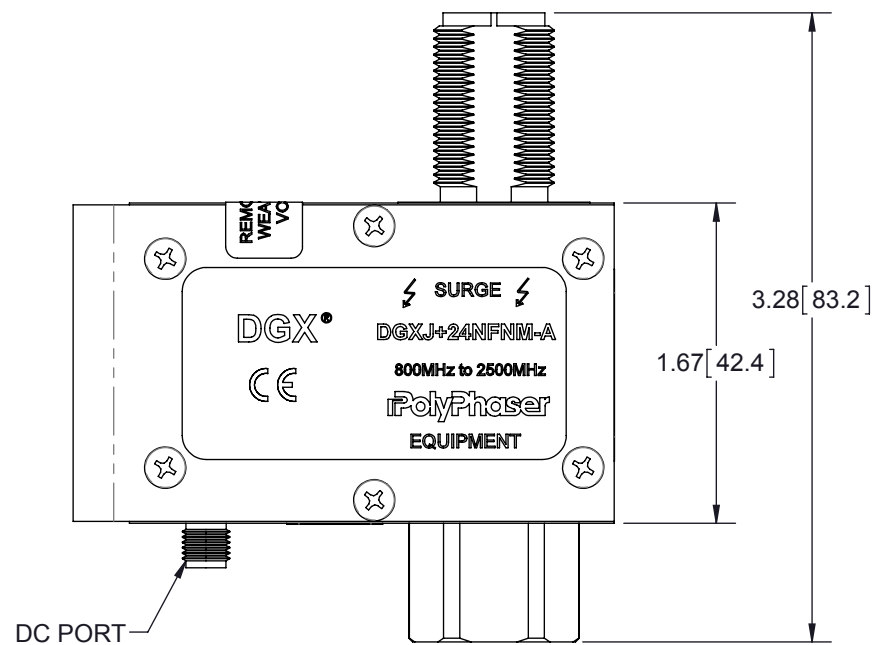
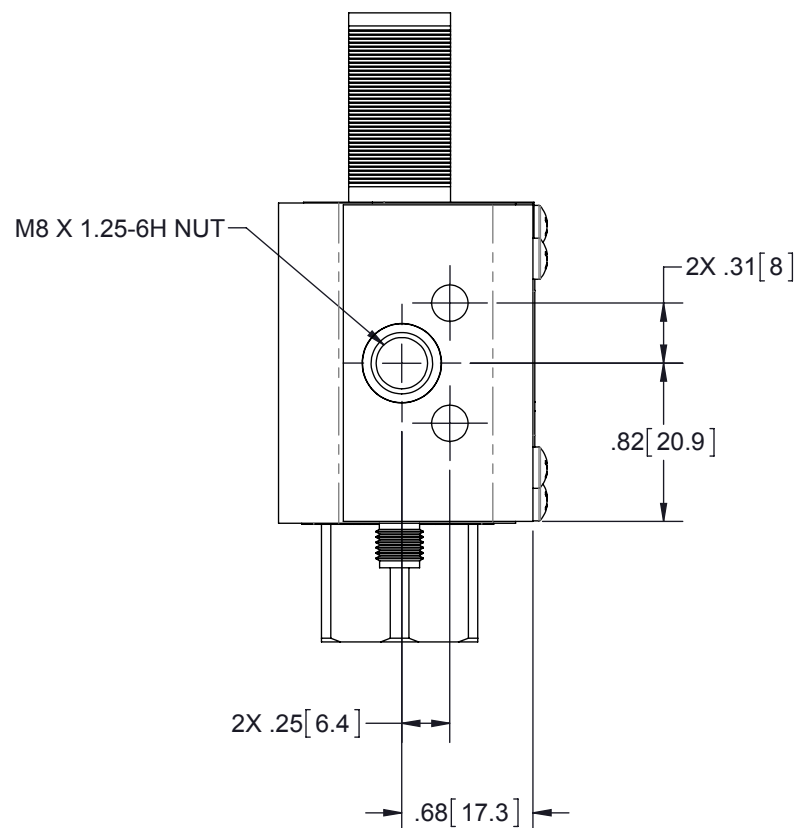


| REVISIONS | | | | |
|-----------|--------------|-------|----------|----------|
| REV. | DESCRIPTION | ECN | DATE | APPROVED |
| D | REFER TO ECN | 11215 | 12/13/12 | CAP |



MAXIMUM CHARACTERISTICS

APPLICATION:
WEATHERIZED, FLANGE OR BULKHEAD MOUNT
FREQUENCY RANGE:
800MHz TO 2500MHz
VSWR:
≤1.1:1 OVER FREQUENCY RANGE
INSERTION LOSS:
≤0.1dB OVER FREQUENCY RANGE
POWER:
300W RMS AVERAGE
TURN ON:
+26.5Vdc
TURN ON TIME:
4ns FOR 2kV/ns
SURGE:
20kA IEC 61000-4-5 8/20μs WAVEFORM
THROUGHPUT ENERGY:
<25μJ FOR 3kA, 8/20μs WAVEFORM
USER VOLTAGE:
+24Vdc MAX
USAGE CURRENT:
≤4.0A CONTINUOUS
RELATIVE HUMIDITY:
TO 95%
ENVIRONMENTAL:
LID & CONNECTORS
MEETS IEC 60529 IP67
MEETS BELLCORE #TA-NWT-000487
PROCEDURE 4.11, WIND DRIVEN (120MPH)
RAIN INTRUSION TEST.
TEMPERATURE:
-50°C TO +85°C STORAGE/OPERATING+65°C

CUSTOMER APPROVAL: _____ DATE: _____

ALL DIMENSIONS SHOWN ARE FOR REFERENCE ONLY.

THESE COMMODITIES, TECHNOLOGY OR SOFTWARE WERE EXPORTED FROM THE UNITED STATES IN ACCORDANCE WITH THE EXPORT ADMINISTRATION REGULATIONS. DIVERSION CONTRARY TO U.S. LAW PROHIBITED.

| | | | | |
|--|--|-----|------|---------|
| UNLESS OTHERWISE SPECIFIED LEADING DIMENSIONS ARE INCHES DIMENSIONS IN [] ARE MILLIMETERS TOLERANCES: FRACTIONS=± 1/32 .XX=± .03 ANGLES=± 1° .XXX=± .010 | DRAWN | SH | DATE | 5/7/03 |
| | ENG APPD | RCD | | 5/12/03 |
| | PRODUCT MGR | TN | | 5/9/03 |
| | MARKETING APPD | SJD | | 5/12/03 |
| | PROJECT NO. | | | |
| THIRD-ANGLE PROJECTION | NOTICE: THE INFORMATION AND DESIGN IN THIS DOCUMENT IS THE PROPERTY OF TRANSTECTOR SYSTEMS. ALL RIGHTS RESERVED. | | | |

| | | | | |
|---------------------------------|----------|-----------------|-------|----|
| PolyPhaser | | | | |
| 800MHz-2500MHz BROADBAND | | | | |
| CUSTOMER SPECIFICATION | | | | |
| SIZE | CAGE | PART NUMBER | REV | |
| B | 61114 | DGXJ+24NFNM-A | D | |
| SCALE | PROD CAT | DOCUMENT NAME | SHEET | OF |
| 1:1 | RFP | DGXJ+24NFNM-A-C | 1 | 1 |