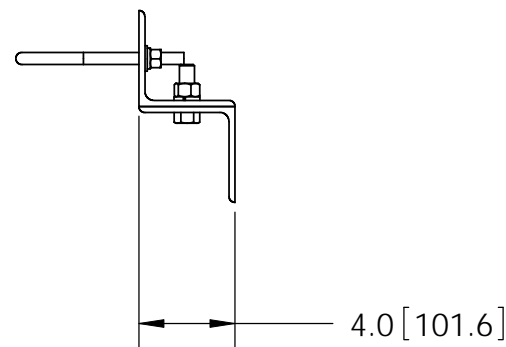
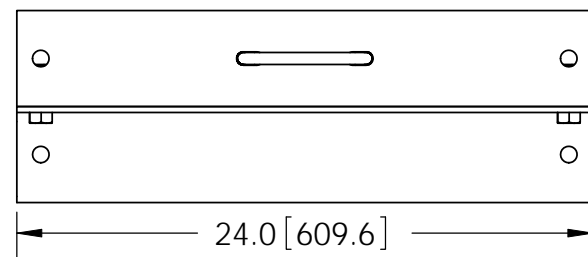
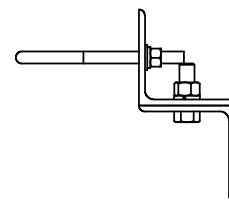
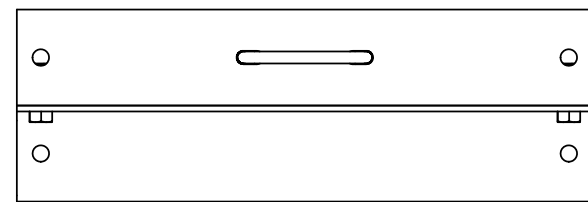
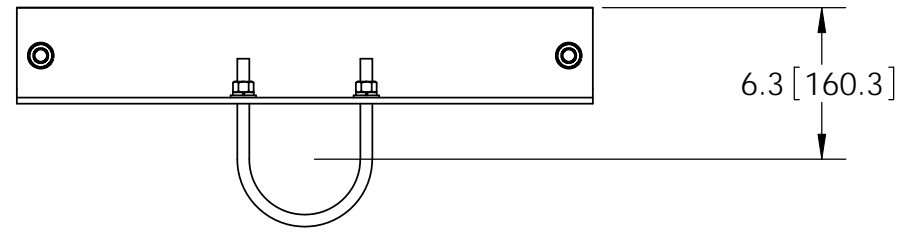
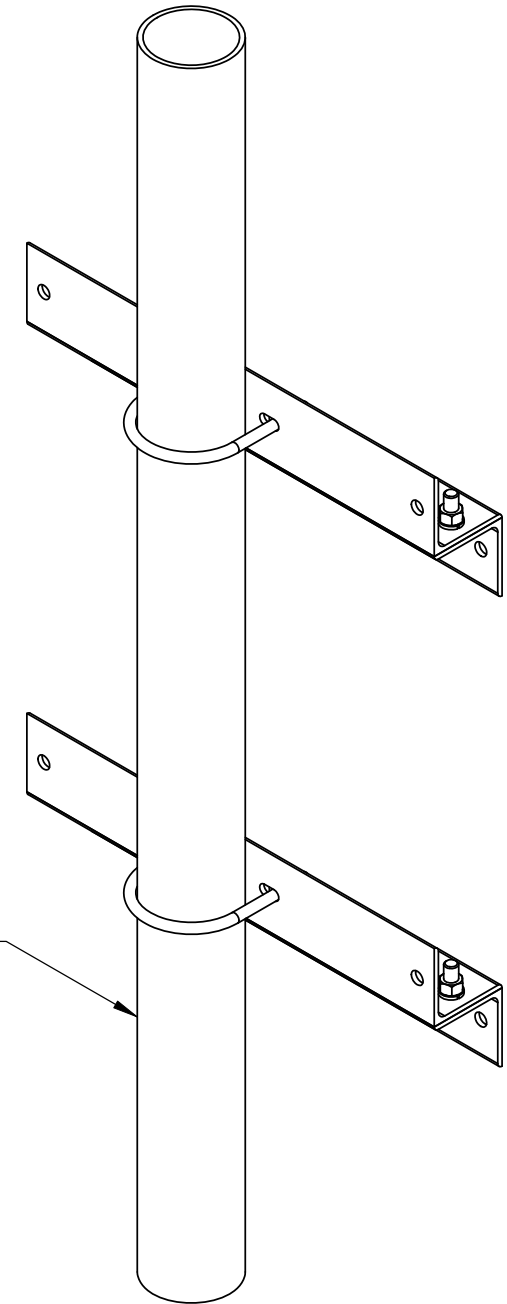


ITEM	PART NO.	DESCRIPTION	QTY.	WEIGHT
1	WMA31201	WMA312 Angle	4	12.94 LBS
2	GB-05205	5/8" X 2" GALV BOLT KIT	4	0.60 LBS
3	GUB-4456	1/2" X 4-5/8" X 6-1/2" GALV U-BOLT	2	0.50 LBS

REVISIONS				
REV.	ZONE	DESCRIPTION	BY	DATE
A		INITIAL RELEASE	MSM	07/09/09




PIPE ORDERED SEPARATELY



NOTES:

1. ALL METRIC DIMENSIONS ARE IN BRACKETS.
2. STAMP PART IDENTIFICATION NUMBER.
3. PIPE ORDERED SEPARATELY.
4. ORDER HARDWARE TO MOUNT TO HOLLOW OR SOLID WALLS SEPARATELY.

<small>These drawings and specifications are the proprietary property of ANDREW CORPORATION and may be used only for the specific purpose authorized in writing by Andrew Corporation.</small> ALL DIMENSIONS ARE IN INCHES U.O.S. TOLERANCES UNLESS OTHERWISE SPECIFIED: .X = ± .12 ANGLES ±2° .XX = ± .06 FRACTIONS ±1/32 .XXX = ± .03 REMOVE BURRS AND BREAK EDGES .005 DO NOT SCALE THIS PRINT	DRAWN BY: MSM	SHEET: 1 of 1	PART NUMBER: WMA412
	CHECKED BY: TP	SCALE: NTS	DESCRIPTION: Angle Wall Mount, 4-1/2" OD Pipe
	DATE: 07/09/09	MATERIAL: A36	DRAWING TYPE: ASSEMBLY DRAWING
	REVISION: A	FINISH: GALV A123	 WESTCHESTER, IL. 60154 U.S.A.
	WEIGHT: 112.26 LBS		