

RT-CB8D

Rooftop Cover Kits for SnapStak® Snap-in Hangers, eight holes

Product Classification

Product Type Cover

General Specifications

Cable Runs, quantity 8

Hole, quantity 8

Mounting Non-penetrating

Dimensions

Height 279.4 mm | 11 in

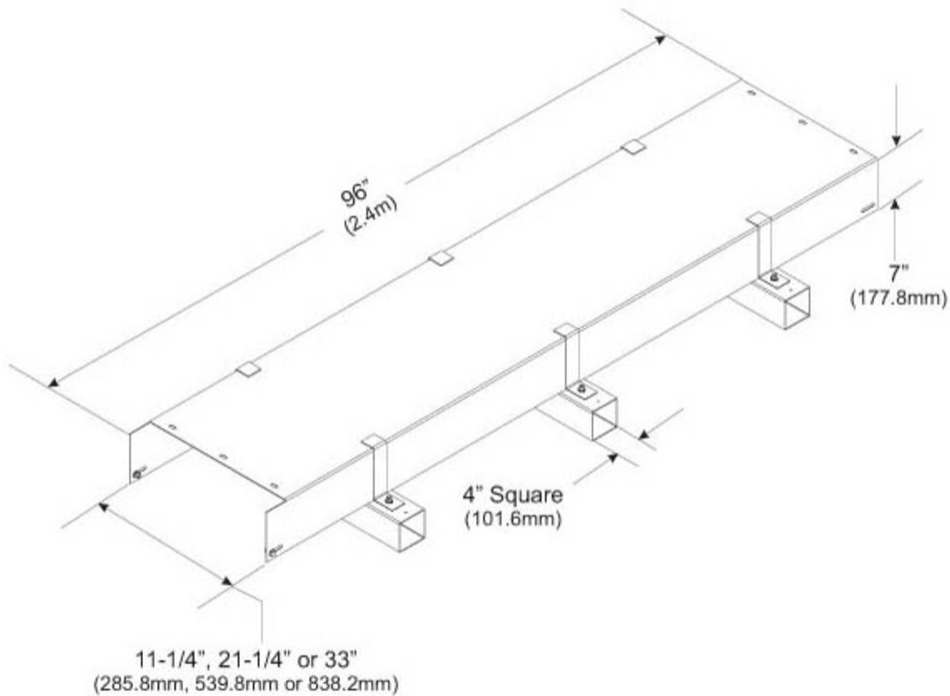
Width 711.2 mm | 28 in

Length 2,438.4 mm | 96 in

Hole Size 3/4 in

RT-CB8D

Outline Drawing



Material Specifications

Material Type Galvanized steel

Mechanical Specifications

Wind Rating For Specifications, please contact steelproducts@commscope.com or call 800-255-1479

Packaging and Weights

Included Channel | Hardware | Hold-down clamps | Sleepers (3)

Packaging quantity 1

Weight, net 55.6 kg | 122.577 lb

RT-CB8D

Regulatory Compliance/Certifications

Agency

ISO 9001:2015

**Classification**

Designed, manufactured and/or distributed under this quality management system

* Footnotes

Wind Rating

BWS—w Base Wind Speed; FBC—Florida Building Code