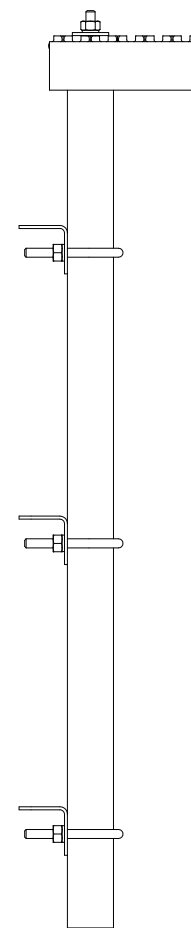
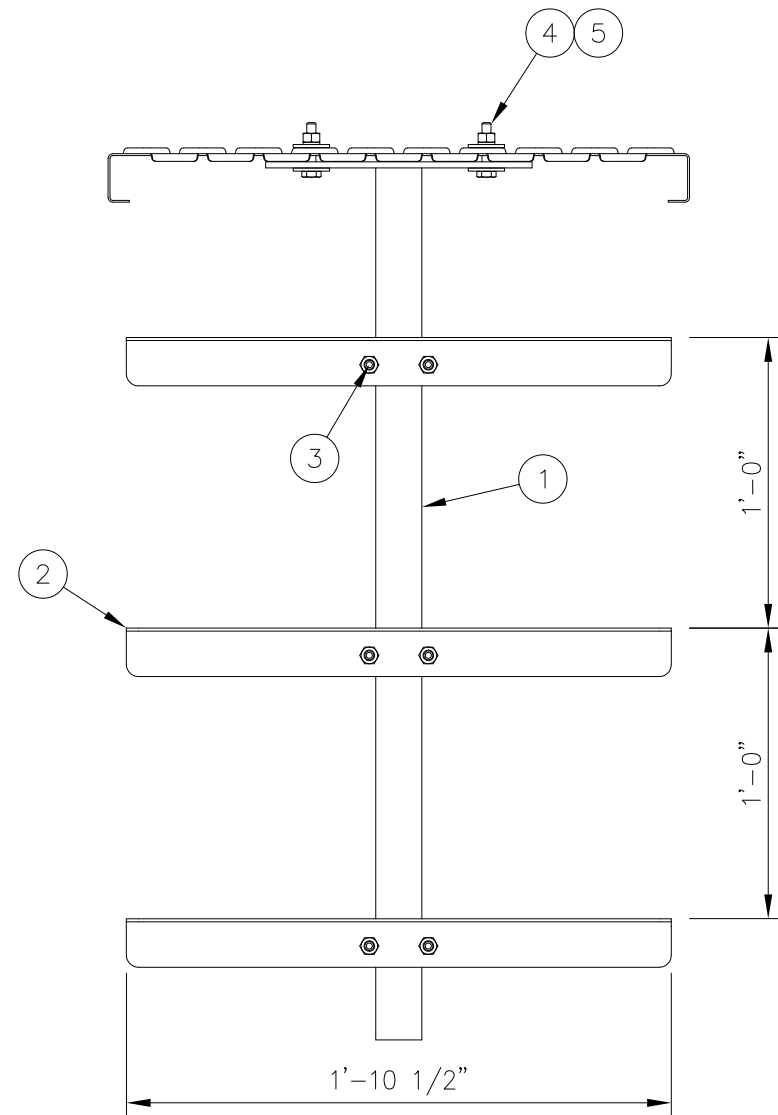
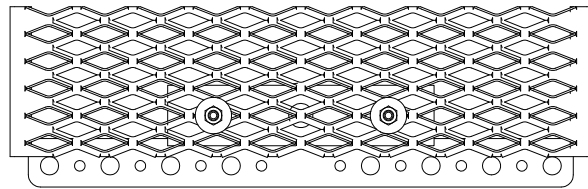


Parts List

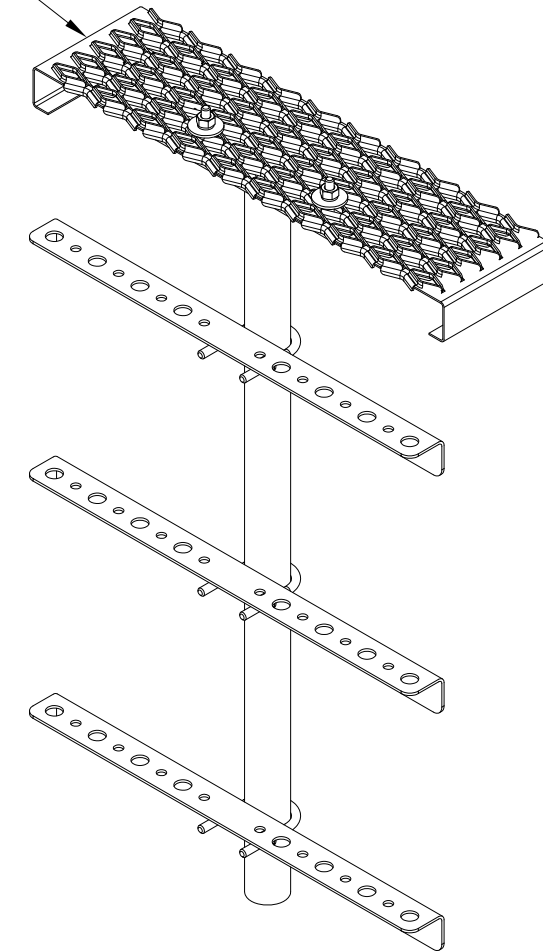
ITEM	DESCRIPTION	QTY
1	WELDMENT, TRAPEZE	1
2	PLATE, WAVEGUIDE SUPPORT	3
3	3/8" X 2-1/2" X 4" GALV U-BOLT KIT	3
4	3/8" X 2" GALV BOLT KIT	2
5	FENDER WASHER, 3/8 X 1 1/2 X .097 H.D.G.	4

REVISIONS

REV.	ECO	DESCRIPTION	BY	DATE
A	MTW	INITIAL RELEASE	ACG	02/18/10



WAVEGUIDE BRIDGE SHOWN TYP.



NOTES:

1. WEIGHT = 21.0 LBS

THIS DOCUMENT CONTAINS PROPRIETARY DATA OF WIRELESS SOLUTIONS. NO DISCLOSURE, REPRODUCTION, OR USE OF ANY PART THEREOF MAY BE MADE EXCEPT BY WRITTEN PERMISSION.

ALL DIMENSIONS ARE IN INCHES U.O.S. TOLERANCES UNLESS OTHERWISE SPECIFIED:
 .X = ±.06 ANGLES ±2°
 .XX = ±.03 FRACTIONS ±1/32
 .XXX = ±.010

REMOVE BURRS AND BREAK EDGES .005

DO NOT SCALE THIS PRINT

DRAWN BY: ACG	DATE: 02/18/10	PART NUMBER: WBT24-3
CHECKED BY: CC	SHEET: 1 OF 1	DESCRIPTION: Triple Tee 24" Trapeze
REVISION: A	SCALE: NTS	Drawing Type: Assembly Drawing
	MATERIAL: A36, A53	
	FINISH: Galv A123	474797

