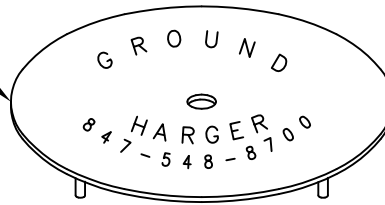
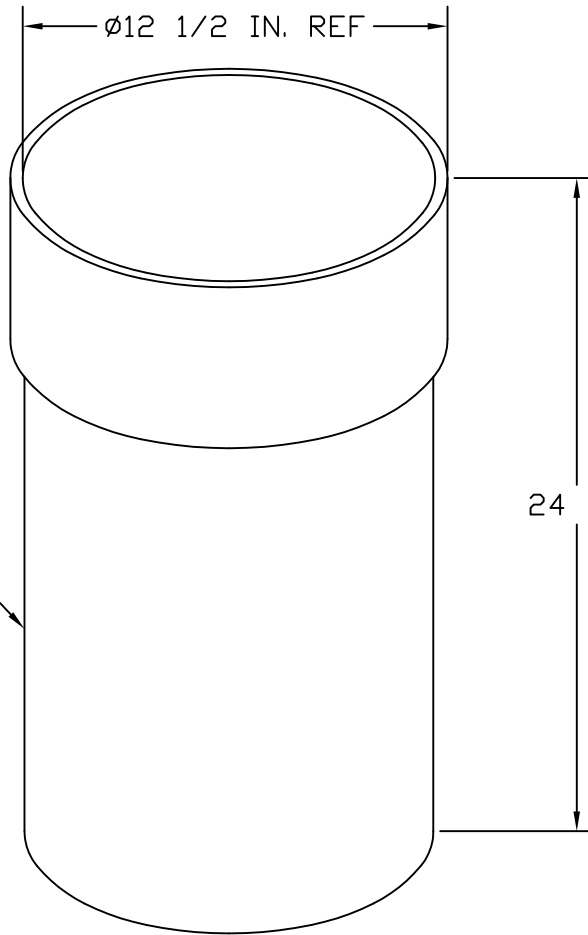


Zn PLATED
STEEL COVER



Ø12 1/2 IN. REF



PVC BELLED
GROUND ACCESS WELL

24 IN.

EST WT 28#

APPROVED

AS DRAWN: _____
 AS NOTED: _____
 DATE: _____

THIS DOCUMENT AND THE CONTENTS THEREOF IS THE PROPERTY OF HARGER INC., AND IS FURNISHED TO YOU FOR INFORMATION ONLY. THE INFORMATION CONTAINED HEREIN IS CONFIDENTIAL AND OF A PROPRIETARY NATURE AND MUST NOT BE DISCLOSED TO THIRD PARTIES WITHOUT THE EXPRESS WRITTEN APPROVAL OF HARGER INC.

A	ADDED LID LABEL	071709	LAL
LET	REVISION	DATE	BY
TOLERANCES UNLESS NOTED:			
	FRACTIONAL	+/-	1/64
	.00	+/-	.010
	.000	+/-	.005

PART NO. 362PBS
GROUND TEST WELL

DRAWN BY:
LAL
CHECKED BY:
DATE:
052200



301 ZIEGLER DRIVE
GRAYSLAKE, IL 60030
(847) 548-8700

REVISION:
A
SCALE:
NTS
SHEET:
-