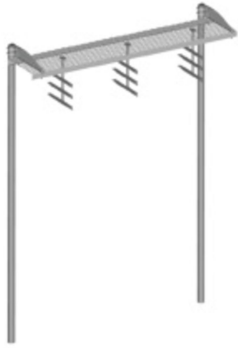


# WB-K110-B

---



Safety Grated Waveguide Bridge Kit, 12 in x 10 ft, with two 13 ft 4 in direct burial posts

## Product Classification

**Product Type** Waveguide bridge kit

## General Specifications

**Application** Direct burial

**Cable Runs, quantity** 12

**Pipe, quantity** 2

## Dimensions

**Height** 4064 mm | 160 in

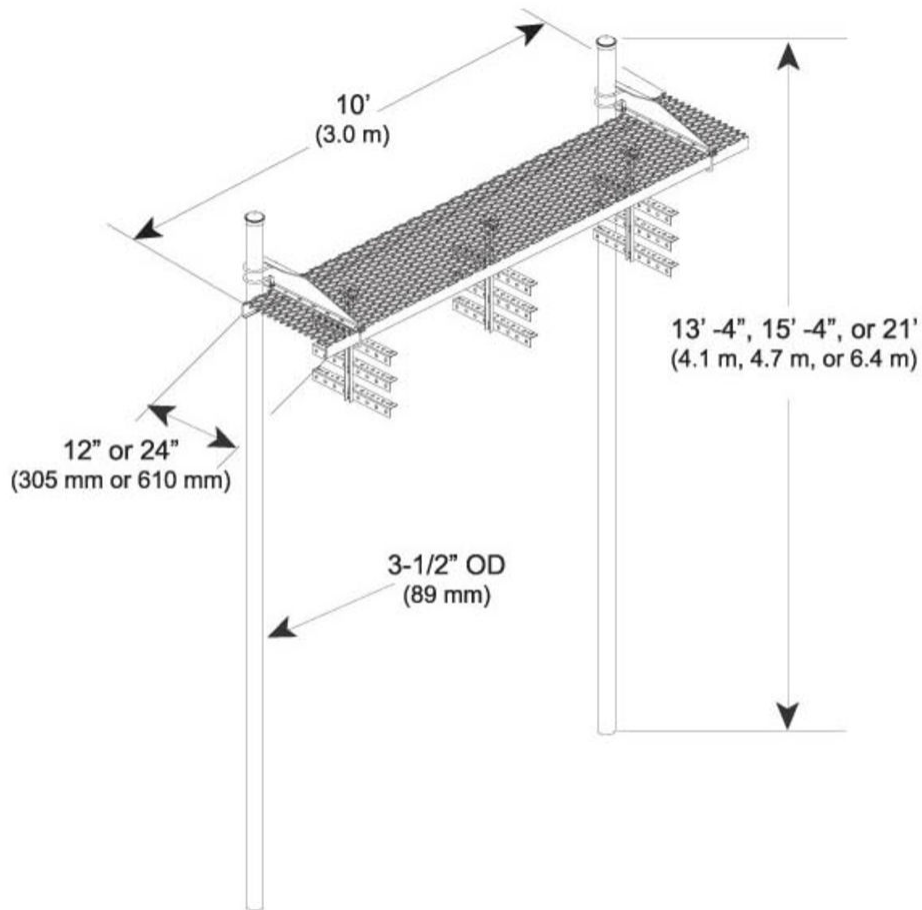
**Width** 304.8 mm | 12 in

**Length** 3048 mm | 120 in

**Pipe Length** 4,053.84 mm | 159.6 in

# WB-K110-B

## Outline Drawing



## Material Specifications

**Material Type** Hot dip galvanized steel

## Packaging and Weights

**Included** Caps | Channel | Hardware | Posts | Support brackets | Trapeze

**Packaging quantity** 1

**Weight, net** 147.4 kg | 324.961 lb

## Regulatory Compliance/Certifications

**Agency** **Classification**

# WB-K110-B

---

CHINA-ROHS	Below maximum concentration value
ISO 9001:2015	Designed, manufactured and/or distributed under this quality management system
REACH-SVHC	Compliant as per SVHC revision on <a href="http://www.commscope.com/ProductCompliance">www.commscope.com/ProductCompliance</a>
ROHS	Compliant



## Included Products

- MF-130 — Direct Burial Pipe Column, 13 ft 4 in
- WB-CY110 — Safety Grated Waveguide Bridge Channel, 12 in x 10 ft
- WB-LB12-3 — Waveguide Bridge Support Bracket, 12 in wide for 3-1/2 in OD legs
- WB-T12-3 — Trapeze Kit, triple tee, 12 in wide, three rungs