

INSTALLATION INSTRUCTIONS

Product

DS-118 VEHICLE BASE

FORD EXPLORER (1995-2001)
FORD RANGER (1993-2011)

Revision

Rev B

Form

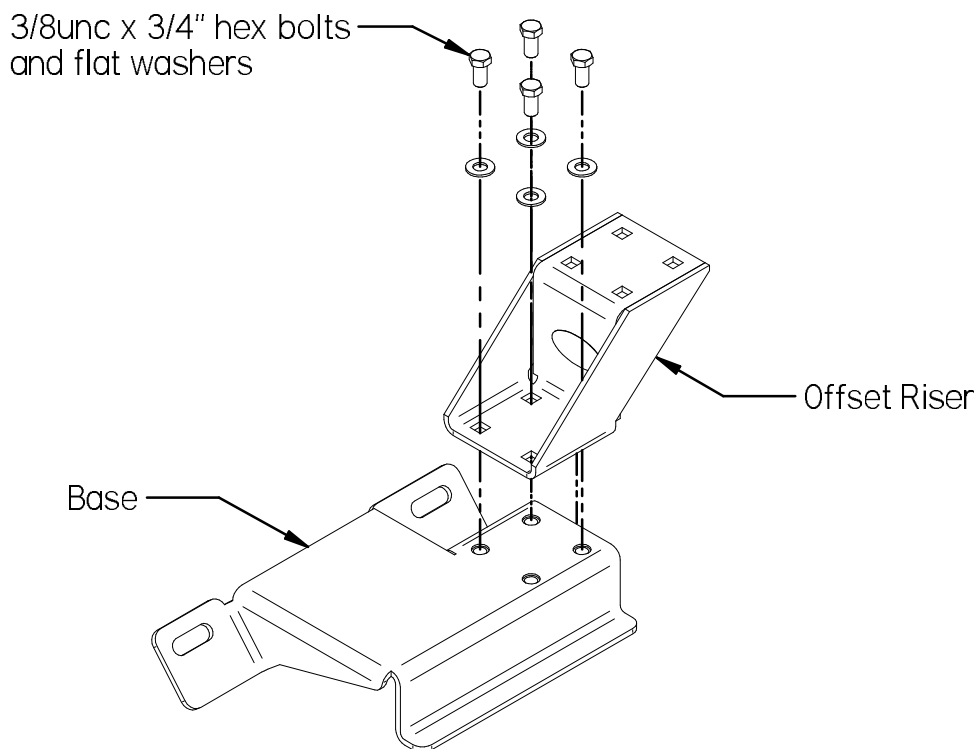
INST-175

Printing Spec: PS-001

The DS-118 is a No Holes Bored base that mounts to the passenger side seat bolts. The mount utilizes an offset riser to position the pole closer to the transmission hump.

Installation:

1. Remove the front two seat bolts that hold the passenger seat to the floor.
2. Place the Base over the seat mounting brackets, so the slots in the base align with the holes in the seat brackets and the floor.
3. Reinstall the two seat bolts to compress the Base, and passenger seat to the floor.
4. Attach the Offset Riser to the Base with the 3/8unc x 3/4" hex bolts and flat washers, that were provided in hardware bag 7120-0215.



Product Mounting Disclaimer

Gamber-Johnson is not liable under any theory of contract or tort law for any loss, damage, personal injury, special, incidental or consequential damages for personal injury or other damage of any nature arising directly or indirectly as a result of the improper installation or use of its products in vehicle or any other application. In order to safely install and use Gamber-Johnson products full consideration of vehicle occupants, vehicle systems (i.e., the location of fuel lines, brakes lines, electrical, drive train or other systems), air-bags and other safety equipment is required. Gamber-Johnson specifically disclaims any responsibility for the improper use or installation of its products not consistent with the original vehicle manufactures specifications and recommendations, Gamber-Johnson product instruction sheets, or workmanship standards as endorsed through the Gamber-Johnson Certified Installer Program.

© copyright 2012 Gamber-Johnson, LLC