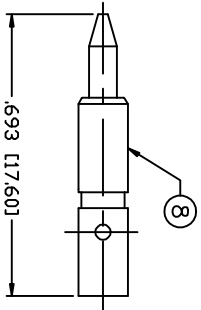
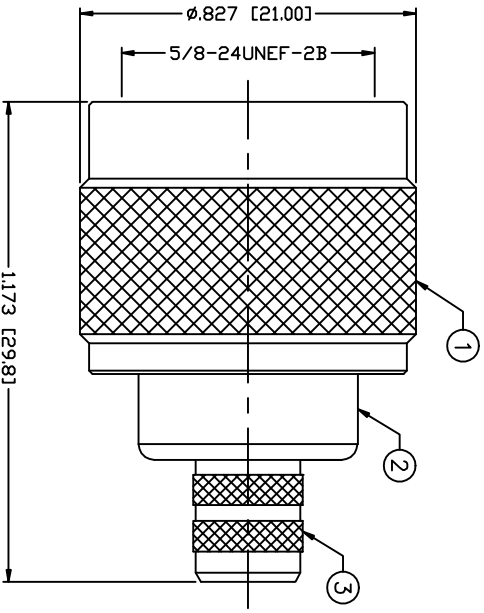
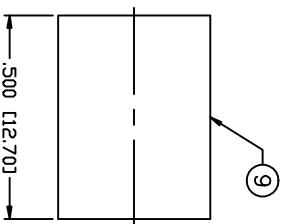


THIS DRAWING CONTAINS INFORMATION PROPRIETARY TO RF INDUSTRIES,  
 ANY UNAUTHORIZED USE OF THIS DRAWING IS EXPRESSLY PROHIBITED,  
 WITHOUT WRITTEN PERMISSION FROM RF INDUSTRIES.  
 ANY VIOLATION IS PUNISHABLE UNDER U.S. COPYRIGHT LAWS.

ALL DIMENSIONS ARE REFERENCE ONLY



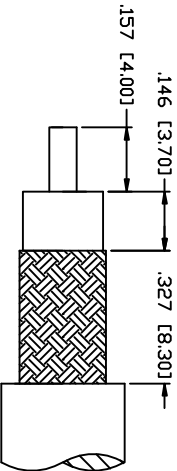
PIN CRIMP SIZE: .100



FERRULE CRIMP SIZE: .324

**SPECIFICATIONS:**

IMPEDANCE: 50 OHMS  
 FREQUENCY RANGE: 0-11 GHZ  
 VSWR: 1.3 Max.  
 INSERTION LOSS: .06 dB Max. X $\sqrt{f}$ GHZ  
 WORKING VOLTAGE: 1k V rms @ sea level  
 TEMPERATURE RANGE: -65°C TO 165°C  
 INSULATION RESISTANCE: 5k M Ohms min.  
 FOR TIMES LMR-300



RECOMMENDED STRIPPING DIMENSIONS

UNLESS OTHERWISE SPECIFIED:

1. REMOVE ALL BURRS
2. BREAK ALL CORNERS & EDGES .005 R. MAX.
3. CHAMFER 1ST & LAST THREADS 45°
4. SURFACE ROUGHNESS 63 FINISH MIL-STD-10
5. DIAMETERS ON COMMON CENTERS TO BE CONCENTRIC WITHIN .002 T.I.R.
6. ALL DIMENSIONS ARE AFTER PLATING.

DIMENSIONS ARE IN INCHES  
 AND [MILLIMETERS]

UNLESS OTHERWISE NOTED  
 TOLERANCES ARE:

DECIMALS .xxx±.003 [.08]  
 .xxx±.005 [.13]  
 DIAMETER .xxxx±.001 [.03]  
 .xxx±.003 [.08]

1	SHELL	1	BRASS	NICKEL, 100 $\mu$ "	008974		
2	BODY	1	BRASS	NICKEL, 100 $\mu$ "			
3	FERRULE STUD	1	BRASS	NICKEL, 100 $\mu$ "			
4	INSULATOR	1	PTFE	---			
5	GROUND RING	1	BRASS	NICKEL, 100 $\mu$ "			
6	GASKET	1	SILICONE	RED			
7	RETAINING RING	1	SUS_304	---			
8	PIN	1	BRASS	GOLD, 3 $\mu$ "			
9	FERRULE	1	BRASS	NICKEL, 100 $\mu$ "			
10							
11							
12							
13							
14							
#	DESCRIPTION	QTY	MATERIAL	FINISH	APPROVALS	DATE	

PART NO.

**RFN-1006-L6**

REV	DESCRIPTION	DWN	DATE	APPROVED
-	ENGINEERING RELEASE	CZS	6/11/01	JDMC

**RF Connectors**  
 DIVISION OF RF INDUSTRIES, LTD.  
 7610 MIRAMAR RD  
 SAN DIEGO, CA 92126  
 (858) 549-6340  
 (858) 549-6345 FAX

**N PLUG, CRIMP**  
 (LMR-300)

SIZE: A  
 CABLE GROUP: L6  
 DWG NO.: RFN-1006-L6  
 SCALE: NTS  
 CAD FILE: OUTLINE  
 SHEET 1 OF 1