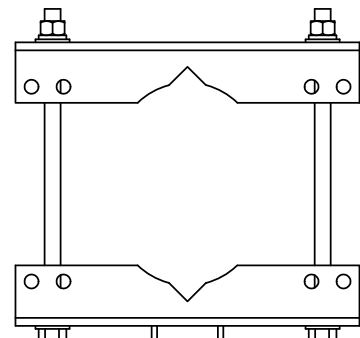


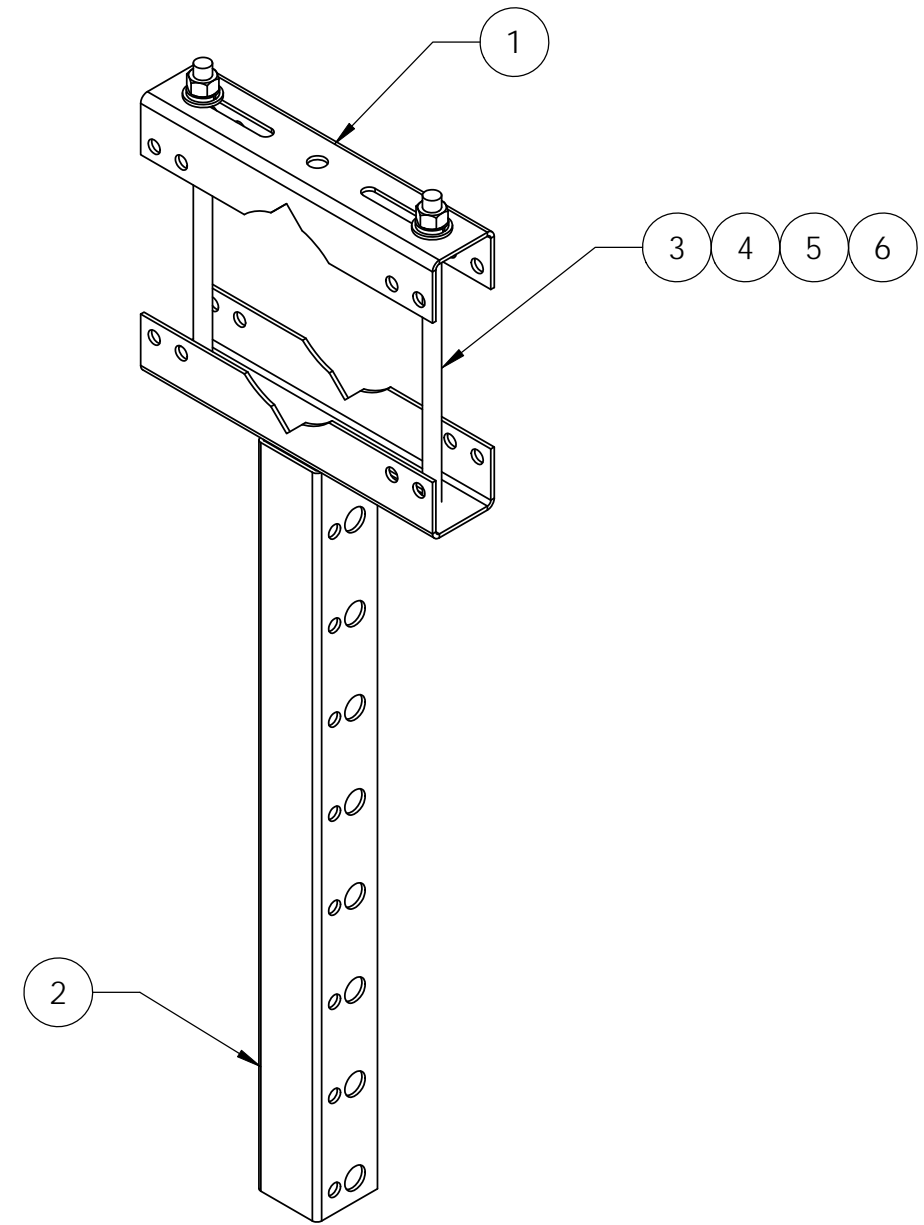
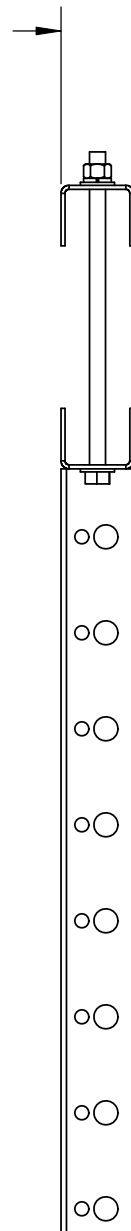
ITEM	PART NO.	DESCRIPTION	QTY.	WEIGHT
1	B225201	Star Support Clamp	1	1.89 LBS
2	B225202	Weldment Tee Bracket	1	6.68 LBS
3	B225210	1/2" BOLT 10" LONG	2	0.60 LBS
4	GWF-04	1/2" GALV FLAT WASHER	4	0.03 LBS
5	GWL-04	1/2" GALV LOCK WASHER	2	0.03 LBS
6	GN-04	1/2" GALV HEX NUT	2	0.08 LBS

REVISIONS				
REV.	ZONE	DESCRIPTION	BY	DATE
A		INITIAL RELEASE	OGG	05/06/10



24.0 [609.6]

2.3 [57.7]



NOTES:

- ALL METRIC DIMENSIONS ARE IN BRACKETS.
- MOUNTS UP TO 5.5"OD PIPE, OR 7" 60 DEGREE ANGLE OR 5" 90 DEGREE ANGLE.

<small>These drawings and specifications are the proprietary property of ANDREW CORPORATION and may be used only for the specific purpose authorized in writing by Andrew Corporation.</small> ALL DIMENSIONS ARE IN INCHES U.O.S. TOLERANCES UNLESS OTHERWISE SPECIFIED: .X = ± .12 ANGLES ±2° .XX = ± .06 FRACTIONS ±1/32 .XXX = ± .03 REMOVE BURRS AND BREAK EDGES .005 DO NOT SCALE THIS PRINT	DRAWN BY: OGG	SHEET: 1 of 1	PART NUMBER: B2252PG
	CHECKED BY: TP	SCALE: NTS	DESCRIPTION: STAR SUPPORT TEE BRACKET
	DATE: 05/06/10	MATERIAL: A36	DRAWING TYPE: ASSEMBLY DRAWING
	REVISION: A	FINISH: GALV A123	WEIGHT: 9.96 LBS