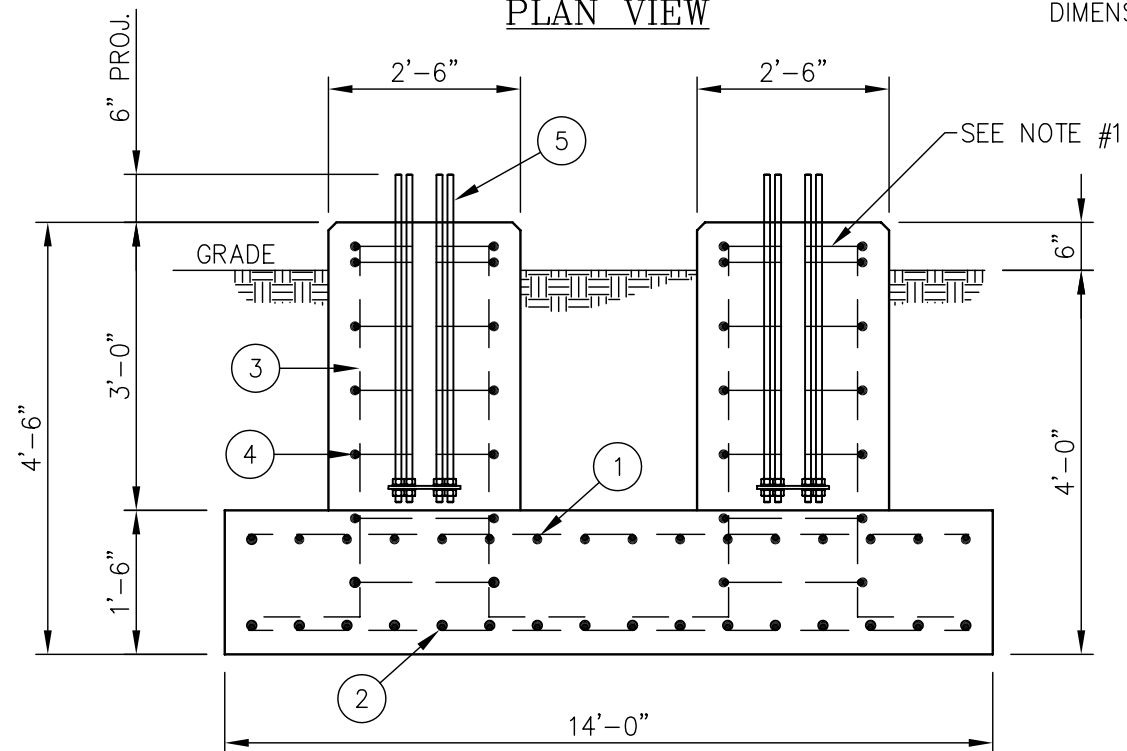


PLAN VIEW

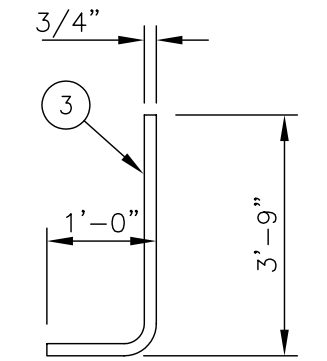


ELEVATION VIEW

ROUND PIER AS SHOWN MAY BE FORMED SQUARE USING SAME OVERALL DIMENSIONS

REINFORCING STEEL SCHEDULE								
ITEM	LOCATION	NO. REQ'D.	BAR SPC'G.	SIZE	CUT LGTH.	TOTAL LGTH.	TOTAL WT.	SHAPE
①	PAD TOP REINFORCING	32	EQUALLY SPACED	#5	13'-6"	432'-0"	451 LBS.	STRAIGHT
②	PAD BOTTOM REINFORCING	32	EQUALLY SPACED	#5	13'-6"	432'-0"	451 LBS.	STRAIGHT
③	PIER VERTICAL REINFORCING	30	EQUALLY SPACED	#6	4'-9"	142'-6"	214 LBS.	
④	PIER TIES	21	SPACED 8" C/C	#4	7'-6"	157'-6"	105 LBS.	
TOTAL REBAR WT.							1221 LBS.	

ANCHOR BOLT SCHEDULE				
ITEM	PART NO.	NO. REQ'D.	ANCHOR BOLT SIZE	SPACING
⑤	C40041057	12	3/4 φ X 3'-3"	SEE PLAN



REBAR DETAIL (PIER VERTICAL REBAR)

FIELD NOTE

SEE DRAWING LDA00314 FOR LEG TO LEG TEMPLATES.

CONCRETE REQ'D	ROUND PIERS	SQUARE PIERS
PAD	10.89 CU. YDS.	10.89 CU. YDS.
PIERS	1.64 CU. YDS.	2.08 CU. YDS.
TOTAL	12.53 CU. YDS.	12.97 CU. YDS.

GENERAL NOTES

1. CONCRETE SHALL HAVE A MINIMUM 28-DAY COMPRESSIVE STRENGTH OF 3000 PSI, IN ACCORDANCE WITH ACI 318-05. (2 REBAR TIES REQ'D IN THE TOP 5")
2. REBAR TO CONFORM TO ASTM SPECIFICATION A615 GRADE 60.
3. ALL REBAR TO HAVE A MINIMUM OF 3" CONCRETE COVER.
4. ALL EXPOSED CONCRETE CORNERS TO BE CHAMFERED 3/4".
5. SEE THE GEOTECHNICAL REPORT FOR COMPACTION REQUIREMENTS, IF SPECIFIED.
6. THE FOUNDATION DESIGN IS BASED ON AN ALLOWABLE BEARING PRESSURE OF AT LEAST 2 KSF. THE ADEQUACY OF THE SOIL MUST BE VERIFIED BEFORE INSTALLING THE FOUNDATION.
7. ONE ANCHOR BOLT MUST BE ALIGNED DIRECTLY WITH THE CENTER OF THE TOWER (TYPICAL).

UNLESS OTHERWISE SPECIFIED ALL DIMENSIONS INCLUDE FINISHES AND ARE IN INCHES		MATERIAL:			MODEL S3A SERIES LDA FOUNDATION INSTALLATION SECTION 14						
TOLERANCES: FRACTIONS ± 1/16" ANGLES ± 1/2 DEG. DECIMALS ± .010"		TOLERANCES DO NOT APPLY TO RAW MATERIAL						CONFIDENTIAL This document and the information contained herein is the confidential trade secret property of Sabre Communications Corporation ("Sabre") and must not be reproduced, copied or used, in whole or in part, for any purpose without the prior written consent of Sabre. © 2010 Sabre Communications Corporation. All rights reserved.			
REV	DATE	DRW/CHK	DESCRIPTION	DATE	02/01/10	SIZE	B	DRAWING NO.	LDA00414	REV	0
				DRAWN BY	WRF			SCALE	NONE	PAGE	1 OF 1
				CHECKED BY	KLE						