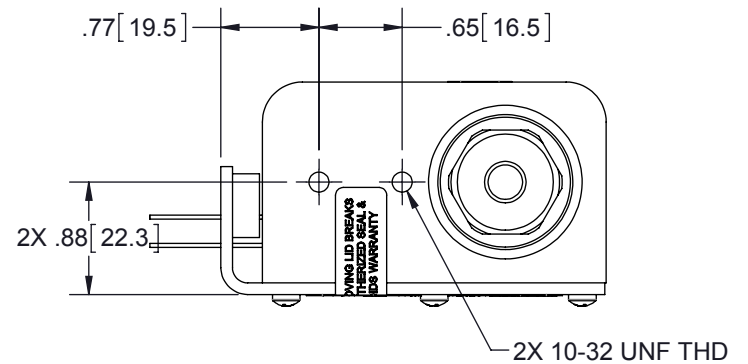
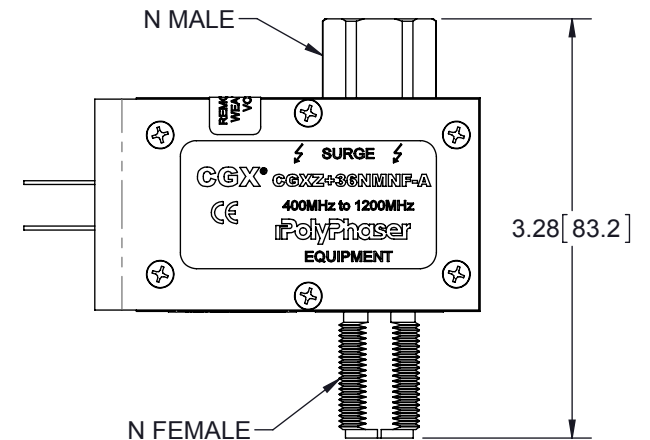
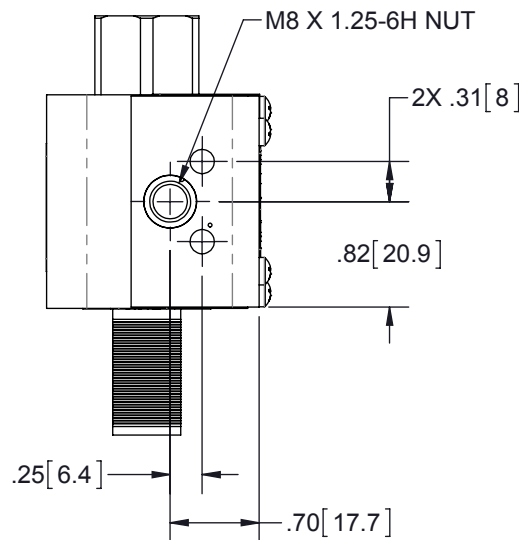


REVISIONS				
REV.	DESCRIPTION	ECN	DATE	APPROVED
B	REFER TO ECN	11211	12/10/12	CAP



MAXIMUM CHARACTERISTICS

APPLICATION:
 WEATHERIZED, FLANGE OR BULKHEAD MOUNT
FREQUENCY RANGE:
 400MHz TO 1200MHz
VSWR:
 ≤1.1:1 OVER FREQUENCY RANGE
INSERTION LOSS:
 ≤0.1dB OVER FREQUENCY RANGE
POWER:
 300 Wrms AVERAGE
TURN ON:
 +40Vdc
TURN ON TIME:
 4ns FOR 2kV/ns
MAX. SURGE:
 20kA IEC 61000-4-5 8/20μs WAVEFORM
THROUGHPUT ENERGY:
 ≤1000μJ FOR 3kA, 8/20μs WAVEFORM
USER VOLTAGE:
 +36Vdc MAX
USAGE CURRENT:
 ≤4.0A CONTINUOUS
RELATIVE HUMIDITY:
 TO 95%
ENVIRONMENTAL:
 COMPLIANT TO IEC 60950-1 SECTION 7.4.2
 MEETS IEC 60529 IP67
 MEETS BELLCORE #TA-NWT-000487
 PROCEDURE 4.11, WIND DRIVEN (120MPH)
 RAIN INTRUSION TEST.
TEMPERATURE:
 -50°C TO +85°C STORAGE/OPERATING



CUSTOMER APPROVAL: _____ DATE: _____

ALL DIMENSIONS SHOWN ARE FOR REFERENCE ONLY.

<small>UNLESS OTHERWISE SPECIFIED LEADING DIMENSIONS ARE INCHES DIMENSIONS IN [] ARE MILLIMETERS</small> TOLERANCES: FRACTIONS=± 1/32 .XX=± .03 ANGLES=± 1° .XXX=± .010 <small>NOTICE: THE INFORMATION AND DESIGN IN THIS DOCUMENT IS THE PROPERTY OF POLYPHASER CORPORATION. ALL RIGHTS RESERVED.</small>	DRAWN SH 12/22/08		SHEET 1 OF 1 SCALE 1:1.5	
	ENG APPD RJS 1/13/09		TITLE 400-1200MHz DC PASS REP DC50LNZ+30-MA <small>CUSTOMER SPECIFICATION</small>	
	PRODUCT MGR KCB 1/13/09		SIZE CAGE A 61114	PROD CAT RFP
	MARKETING APPD PB 1/13/09		PART NUMBER CGXZ+36NMNF-A	REV B
<small>THIRD-ANGLE PROJECTION</small> 	PROJECT NO. CGXZ+36NMNF-A-C	DOCUMENT NAME		

THESE COMMODITIES, TECHNOLOGY OR SOFTWARE WERE EXPORTED FROM THE UNITED STATES IN ACCORDANCE WITH THE EXPORT ADMINISTRATION REGULATIONS. DIVERSION CONTRARY TO U.S. LAW PROHIBITED.