

MT-F1588

Wall-Mount Bracket for 12 coaxial cable runs

Product Classification

Product Type Mounting bracket

General Specifications

Cable Runs, quantity 12

Hole, quantity 12

Mounting Walls

Dimensions

Height 101.6 mm | 4 in

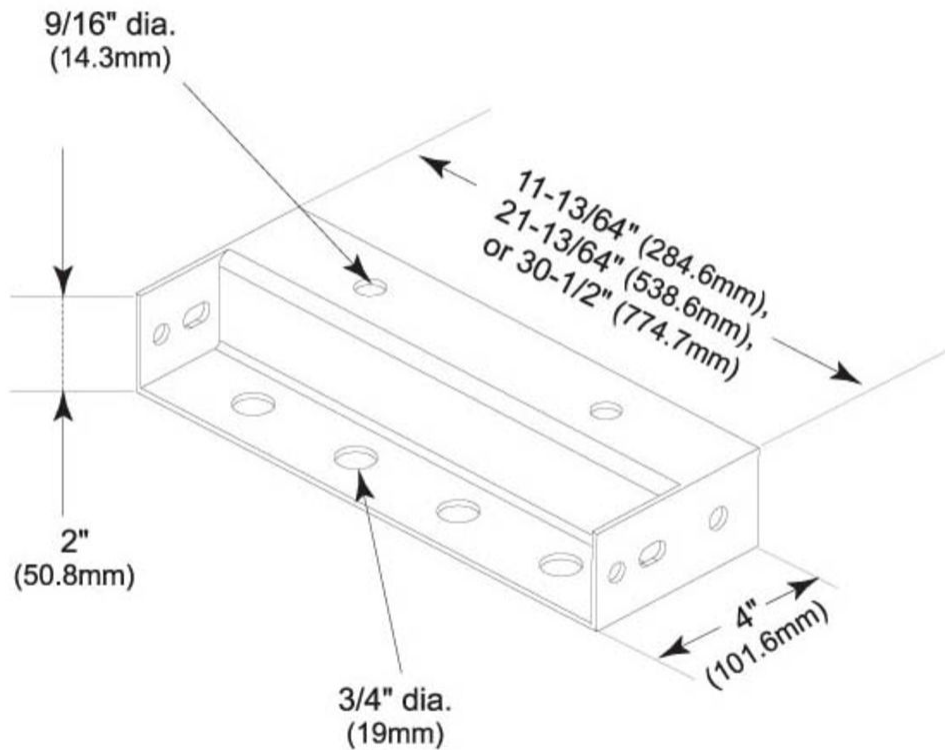
Width 50.8 mm | 2 in

Length 812.8 mm | 32 in

Hole Size 3/4 in

MT-F1588

Outline Drawing



Material Specifications

Material Type Hot dip galvanized steel

Mechanical Specifications

Wind Rating For Specifications, please contact steelproducts@commscope.com or call 800-255-1479

Packaging and Weights

Included Brackets

Packaging quantity 1

Weight, net 2.8 kg | 6.173 lb

MT-F1588

Regulatory Compliance/Certifications

Agency	Classification
ISO 9001:2015	Designed, manufactured and/or distributed under this quality management system



* Footnotes

Wind Rating	BWS—w Base Wind Speed; FBC—Florida Building Code
--------------------	--