

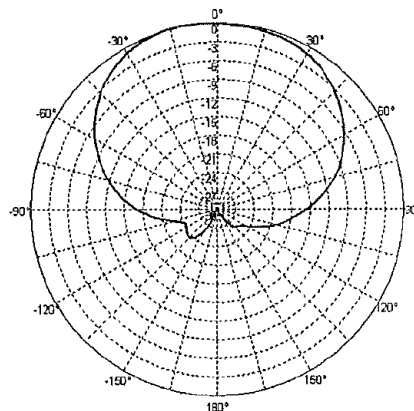


802.11n Quad Patch Antenna With RPTNC Plug Connectors

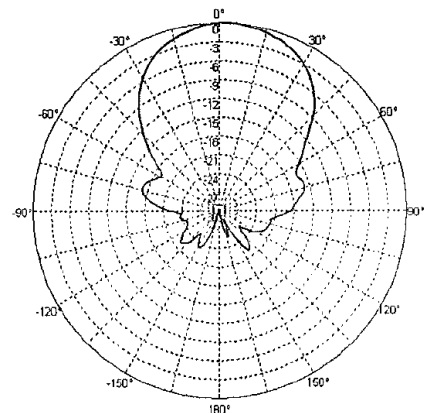
Ventev's TerraWave 2.4/5 GHz 6 dBi Quad Patch Multiple-Input and Multiple-Output (MIMO) antenna is designed to be operated with any manufacturer's enterprise-class 802.11n MIMO access points. The antenna comes with four RPTNC Plug connectors and 36" cables. With dual-band leads, each cable supports both 2.4 and 5 GHz, making it an ideal antenna to support demanding outdoor applications in next generation IEEE 802.11n wireless communication systems. The antenna radome can withstand exposure to moisture and dust and comes with an articulating mount. *All antennas are covered by a two-year TerraNet warranty program. For questions and to purchase product, contact Ventev at 800-851-4965 or sales@ventev.com.*



Specifications		
SKU	349502	
Model	M6060060MP1D43602	
Frequency Range	2400 ~ 2500 MHz	5150 ~ 5850 MHz
Gain	6 dBi	
Vertical Beamwidth	80°±20°	45°±20°
Horizontal Beamwidth	80°±20°	45°±20°
VSWR	≤ 2.0	≤ 2.5
Front-to-back ratio	≥ 18	
Polarization	Vertical	
Max Power	100 Watts	
Connector	RPTNC Plug	
Pigtail Length	36" (w/ Connector)	
Dimensions	9.2" x 9.0" x 1.1"	
Weight	2.65 lbs	
Operating Temperature Range	-40°F to +140°F	
Rated Wind Velocity	134.2 mph	
Mount Style	Wall or Mast/Pole	



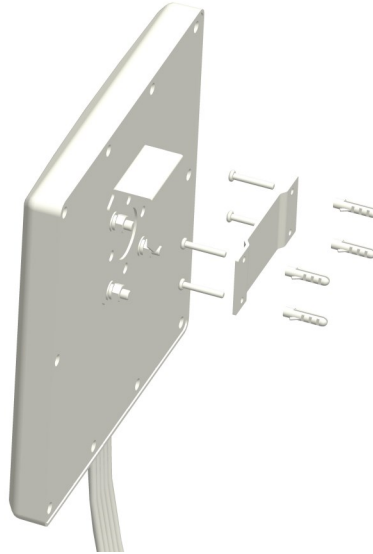
2.4 GHz



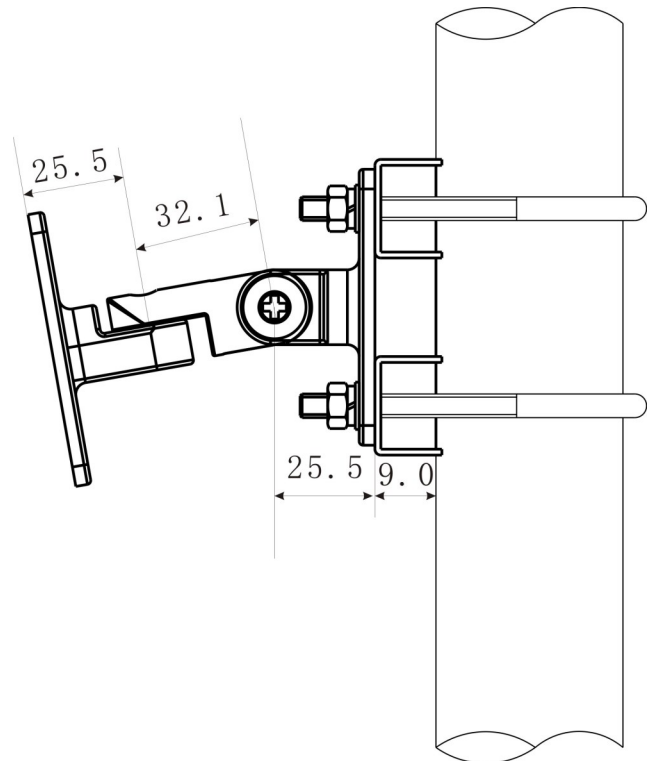
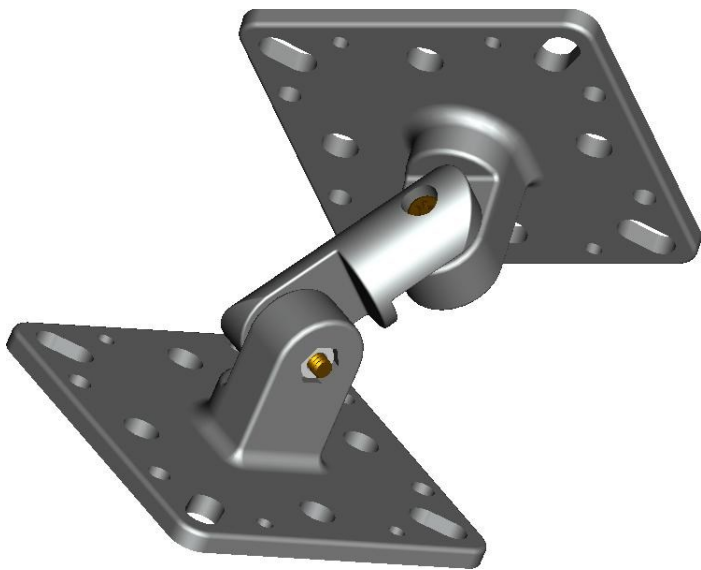
5 GHz

802.11n Quad Patch Antenna With RPTNC Plug Connectors

Wall Mount with screws:



Mast Mount with Articulating Mount:
Note: Articulating Mount can also be Wall Mounted



802.11n Quad Patch Antenna With RPTNC Plug Connectors

