

- ◆ Very Low PIM
- ◆ 100W average power
- ◆ Low VSWR
- ◆ Convenient Size
- ◆ For indoor/outdoor applications
- ◆ IP67 and RoHS compliant
- ◆ Multiple Connector Options
- ◆ SMA, N, 7-16 & 4.3-10



100W TK-27FD

Microlab TK-27 series of 100W Cable Loads are intended for wireless applications, when extremely low PIM, Passive Intermodulation, is required. A typical application is in terminating the unused port of a Hybrid Coupler used to combine different wireless signals. This is also offered as a discrete product in the CT series of low PIM hybrid combiners.

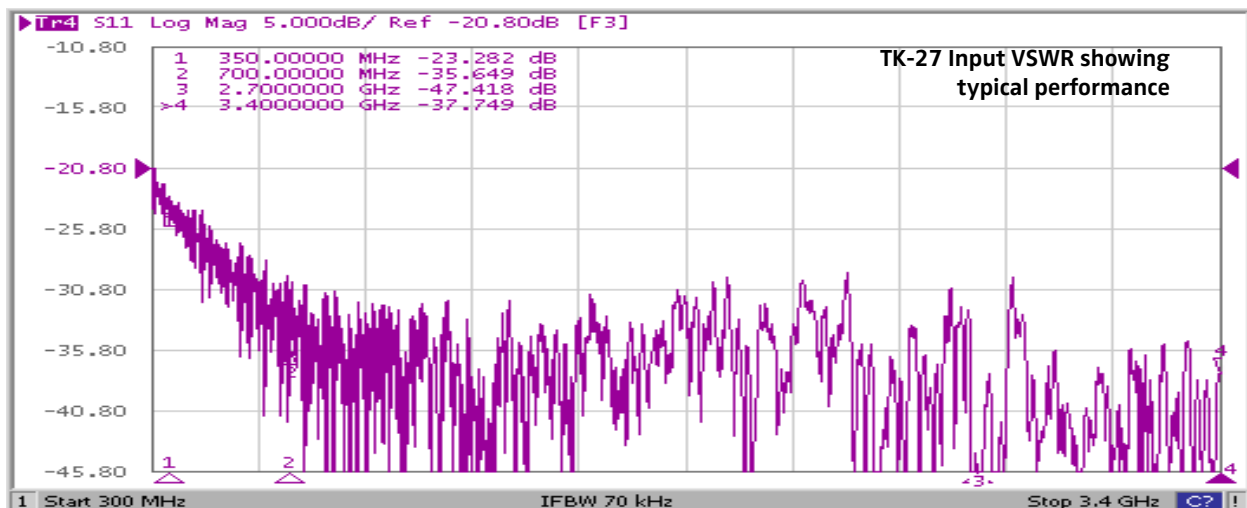
For IEC 60950 compliance (surface temperature no greater than 90°C) at full power at 55°C ambient, air flow over the fins is required.

Frequency: 350 - 2700 MHz
 Power Rating[†]: 100W avg., 5 kW peak
 PIM: -161 dBc, tested with 2 20W tones at 25°C
 Environment: -35 to +55°C ambient, IP67
 Surface Temp: +110°C max.*
 Impedance: 50Ω nom.
 Connector Finish: Triplate
 Weight, nom: 5.55 lb., 2.50 Kg
 Enclosure: Black epoxy paint, mounting bracket supplied

* Measured on heat sink fin, at full power into a unit that is mounted in a 2 RU and 19" box, all enclosed and without cooling, at 25°C external ambient temperature

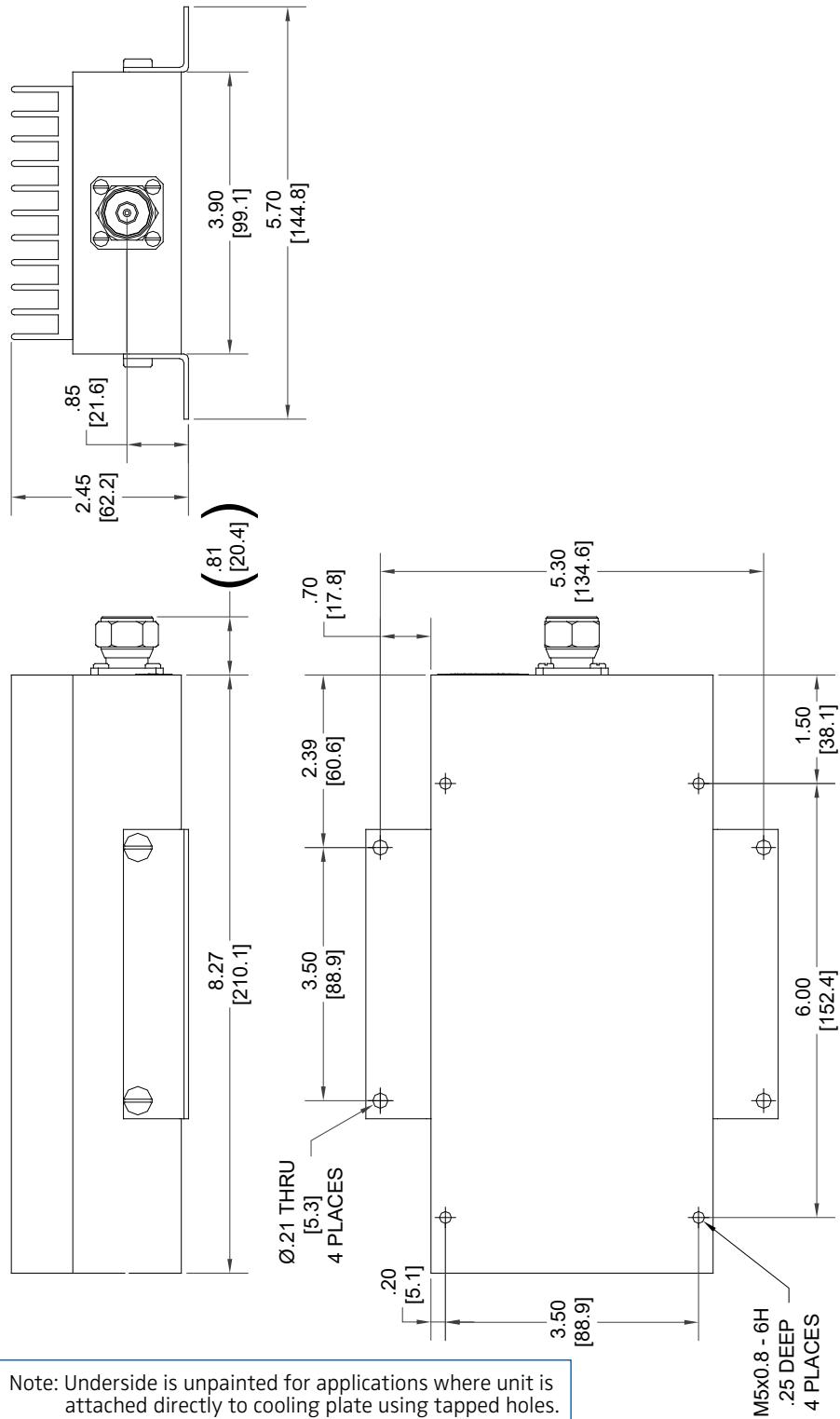
[†] Derate Avg Power by -1.2%/°C above 55°C ambient

Model Number and Connector							VSWR			
†SMA	N		7/16		4.3-10		350-698 MHz		698 - 2700 MHz	
Female	Female	Male	Female	Male	Female	Male	typ.	max.	typ.	max.
TK-27FF	TK-27FN	TK-27MN	TK-27FD*	TK-27MD*	TK-27FE	TK-27ME	1.20:1	1.25:1	1.10:1	1.15:1
†SMA ver. made to order							*VSWR: 1.20:1 max			



Note: Specifications are subject to change without prior notification.

06JUL2018

TK-27MN Outline


Note: Underside is unpainted for applications where unit is attached directly to cooling plate using tapped holes.