

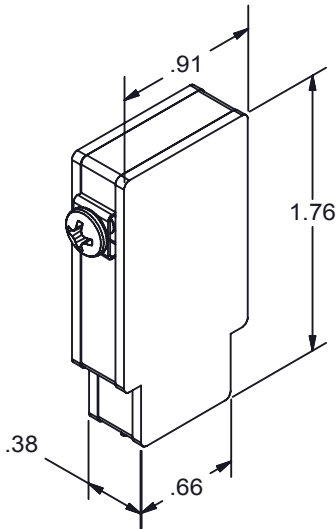
THESE COMMODITIES, TECHNOLOGY OR SOFTWARE WERE EXPORTED FROM THE UNITED STATES IN ACCORDANCE WITH THE EXPORT ADMINISTRATION REGULATIONS. DIVERSION CONTRARY TO U.S. LAW PROHIBITED.

REVISIONS				
REV.	DESCRIPTION	ECN	DATE	APPROVED
E	REFER TO ECN	13306	7/2/15	TOT

PBM 6600 SERIES SPECIFICATIONS

GENERAL DESCRIPTION:

The PBM series Surge Suppressor is a high speed, solid state device designed to protect equipment from over voltages on data lines. Continuous bi-polar, bi-directional, non interrupting protection is provided. The PBM automatically resets after each suppression function with no degradation of protection capabilities. The PBM is designed to help equipment meet various requirements including: Bellcore 1089, ITU K.20 & K.21, IEC 950, UL 1459 & 1950, and FCC 68.



PERFORMANCE SPECIFICATIONS

PBM 6603.....	67 Vpeak
PBM 6604.....	153 Vpeak
PBM 6605.....	270 Vpeak
PBM 6607.....	45 Vpeak

Peak Repetitive Pulse Current	1.0 x 2.0 μ sec - 225 Amp 8 x 20 μ sec - 150 Amp 10 x 1000 μ sec - 100 Amp
Temperature	-20°C to +50°C
Dimensions	1.75" x .90" x .40" 4.45cm x 2.29cm x 1.02cm

- Compliance:
1. The 1101-162 PBM 6607 is marked RoHS and CE.
 2. The Ground bar assembly 1101-621 is fabricated from UL recognized material suitable for telecommunications applications.

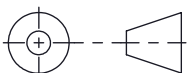
Mounting: The PBM Series clip mounted protectors are designed to clip into a 66 Punchdown Block (replacing the bridge clip). The ground connection is achieved with installation of Ground bar assembly 1101-621 or equivalent.

UNLESS OTHERWISE SPECIFIED LEADING DIMENSIONS ARE INCHES DIMENSIONS IN [] ARE MILLIMETERS

TOLERANCES:
FRACTIONS= \pm XX= \pm
ANGLES= \circ XXX= \pm

MATERIAL:

THIRD-ANGLE PROJECTION



DRAWN	DRE	DATE
CHECKED	CKW	5/26/00
ENG APPD	JDW	5/26/00
PROJ APPD	DLR	5/26/00
QA APPD		

PROJECT NO.

NOTICE: THE INFORMATION AND DESIGN IN THIS DOCUMENT IS THE PROPERTY OF TRANSTECTOR SYSTEMS. ALL RIGHTS RESERVED.



©2009 Transtector Systems, Inc. All rights reserved.

10701 Airport Drive, Hayden, ID 83835, USA
+1.208.772.8515 FAX +1.208.762.6034
800.882.9110 www.transtector.com

TITLE

SPEC
PBM 6600 SERIES

SIZE	CAGE	DRAWING NUMBER	REV
A	30992	1400-344	E
SCALE=	PRODUCT CATEGORY	SHEET	of
1:1	CMP	1	2

THESE COMMODITIES, TECHNOLOGY OR SOFTWARE WERE EXPORTED FROM THE UNITED STATES IN ACCORDANCE WITH THE EXPORT ADMINISTRATION REGULATIONS. DIVERSION CONTRARY TO U.S. LAW PROHIBITED.

APPLICATION:

Use PBM with punchdown block P/N 2105-519 and ground bar P/N 1101-621. The PBM serves as a 66 protection bridge clip across the punchdown block for up to 25 pairs. Connects left to right and protects between wire pairs to ground.

