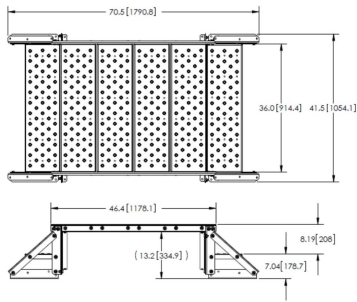


RT-ST



Rooftop Cable Tray Step Over

Product Classification

Product Type Step over

General Specifications

Mounting Non-penetrating

Dimensions

Height 335.28 mm | 13.2 in
Width 1,054.1 mm | 41.5 in
Length 1,790.7 mm | 70.5 in

Material Specifications

Material Type Hot dip galvanized steel

Mechanical Specifications

Wind Rating For Specifications, please contact steelproducts@commscope.com or call 800-255-1479

Packaging and Weights

Included Hardware | Step over

Packaging quantity 1

Weight, net 66.4 kg | 146.387 lb

Regulatory Compliance/Certifications

Agency	Classification
CHINA-ROHS	Below maximum concentration value
ISO 9001:2015	Designed, manufactured and/or distributed under this quality management system
REACH-SVHC	Compliant as per SVHC revision on www.commscope.com/ProductCompliance

RT-ST

ROHS



Compliant

* Footnotes

Wind Rating

BWS—w Base Wind Speed; FBC—Florida Building Code