

# INSTALLATION INSTRUCTIONS

## Product

7160-0117 VEHICLE LEG KIT

## Revision

Rev C

## Form #

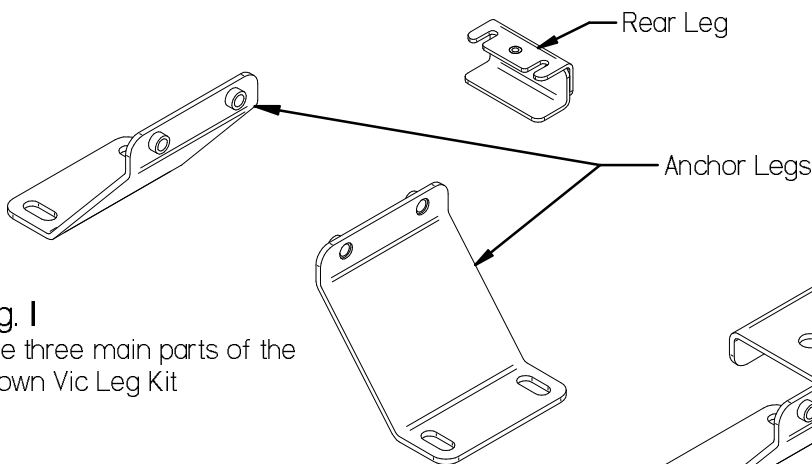
INST-384

FORD CROWN VICTORIA / POLICE INTERCEPTOR (1995-2011)

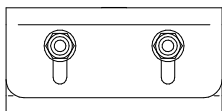
Printing Spec: PS-001

The purpose of this installation instruction sheet is to illustrate the manufacturer's recommended method of installation of the Ford Crown Victoria Leg Kit. The new leg kit can be used in combination with the Ford Crown Victoria Vehicle Base (7160-0234) for installations where more peripheral mounting space is desired.

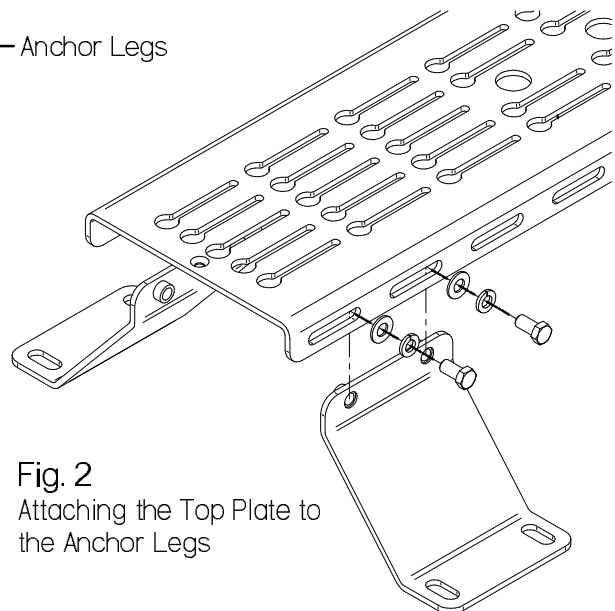
1. Begin by removing the in-board, forward most seat bolts of both the passenger's and driver's side seats.
2. Loosen the out-board, forward most seat bolts of the same seats.
3. Slide the two anchor legs between the seat frame and the vehicle floor oriented as shown in Fig. 1. Either mounting hole on the anchor legs can be used. Determine the best arrangement based on weight and placement of the components to be added after the leg kit and top plate are installed. Replace and tighten the fasteners removed in Step 1.
4. The rear leg can be installed at any time now. It is recommended that the rear leg is fastened to the top plate using the 1/4-20 flat head screw included in the hardware bag prior to fastening the top plate to the anchor legs. Orient the rear leg as shown in Fig. 1 with the vertical flange facing towards the rear of the vehicle.
5. Fasten the top plate to the anchor legs as in Fig. 2.
6. Adjust the tension on the plate by loosening the nuts on the vertical flange of the rear leg (see Fig. 3). Pry the top plate up and tighten the nuts. This completes the installation of the Ford Crown Victoria Leg Kit. Add a console, cup holder, arm rest, and other components to complete the solution.



**Fig. 1**  
The three main parts of the Crown Vic Leg Kit



**Fig. 3**  
Rear Leg Adjustment Hardware



**Fig. 2**  
Attaching the Top Plate to the Anchor Legs

### Product Mounting Disclaimer

Gamber-Johnson is not liable under any theory of contract or tort law for any loss, damage, personal injury, special, incidental or consequential damages for personal injury or other damage of any nature arising directly or indirectly as a result of the improper installation or use of its products in vehicle or any other application. In order to safely install and use Gamber-Johnson products full consideration of vehicle occupants, vehicle systems (i.e., the location of fuel lines, brakes lines, electrical, drive train or other systems), air-bags and other safety equipment is required. Gamber-Johnson specifically disclaims any responsibility for the improper use or installation of its products not consistent with the original vehicle manufactures specifications and recommendations, Gamber-Johnson product instruction sheets, or workmanship standards as endorsed through the Gamber-Johnson Certified Installer Program.

© copyright 2012 Gamber-Johnson, LLC

If you need assistance or have questions, call Gamber-Johnson at 1-800-456-6868