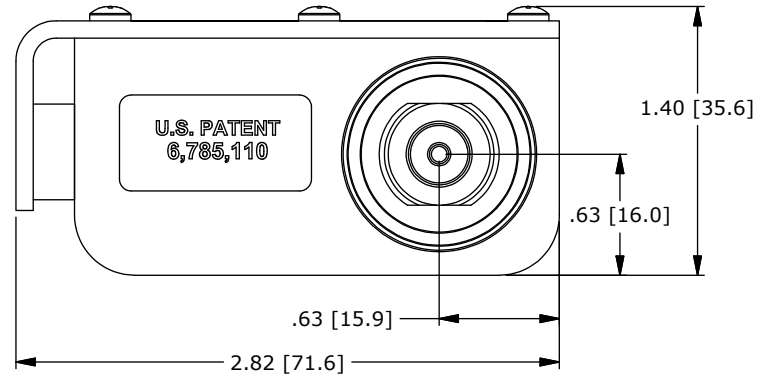
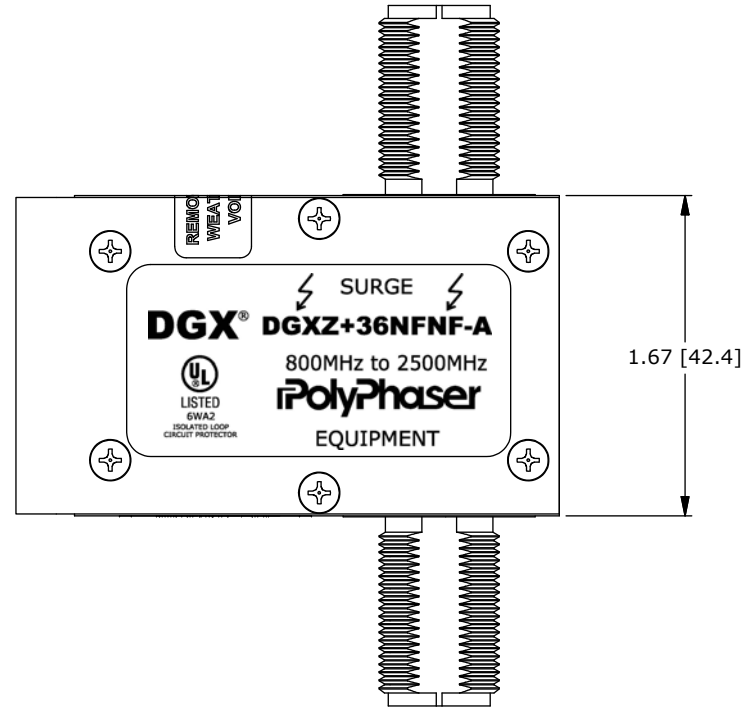
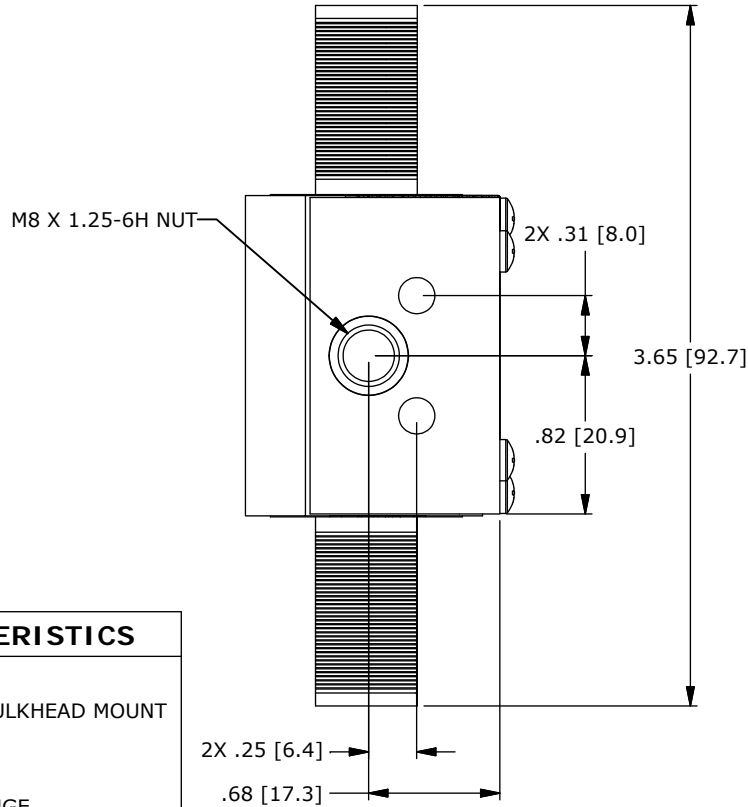


These commodities or technology are exported from the U.S. in accordance with the Export Administration Regulations. Diversion contrary to U.S. law prohibited.

REVISIONS						
REV	DESCRIPTION	DATE	ME	EE	MKT	QA



MAXIMUM CHARACTERISTICS

APPLICATION:
WEATHERIZED, FLANGE OR BULKHEAD MOUNT

FREQUENCY RANGE:
800MHz TO 2500MHz

VSWR:
≤1.1:1 OVER FREQUENCY RANGE

INSERTION LOSS:
≤0.1dB OVER FREQUENCY RANGE

POWER:
300Wrms AVERAGE

TURN ON:
+40Vdc

TURN ON TIME:
4ns FOR 2kV/ns

MAX. SURGE:
20ka IEC 61000-4-5 8/20µs WAVEFORM

THROUGHPUT ENERGY:
≤1.5mJ FOR 3kA, 8/20µs WAVEFORM

USER VOLTAGE:
+36Vdc MAX

USAGE CURRENT:
≤4.0A CONTINUOUS


RELATIVE HUMIDITY:
TO 95%

ENVIRONMENTAL:
MEETS IEC 60529 IP67
MEETS BELLCORE #TA-NWT-000487
PROCEDURE 4.11, WIND DRIVEN (120MPH)
RAIN INTRUSION TEST.

TEMPERATURE:
-50°C TO +85°C STORAGE/OPERATING

CUSTOMER APPROVAL: _____ DATE: _____

ALL DIMENSIONS SHOWN ABOVE ARE FOR REFERENCE ONLY.

DRAWN BY	J. MCCOY	DATE	05/20/08	 P.O. BOX 9000 MINDEN, NV 89423 TEL: 775.782.2511 FAX: 775.782.4476 PART NO / TITLE / DESCRIPTION DGXZ + 36NFN-A CUSTOMER PRINT	TOLERANCES			
MECH ENG	R. SWART	DATE	05/21/08		UNLESS OTHERWISE STATED DIMENSIONS ARE IN INCHES	SURFACE FINISH = 63µin	HOLE DIAMETER	
ELEC ENG	K. BARTEL	DATE	05/21/08		ANGLES = ±1°	.010-.039	+ .004/- .001	
G.A. DEPT	L. JACQUES	DATE	05/21/08		.X = ±.05	.040-.129	+ .005/- .001	
MKT DEPT	W. O'KEEFE	DATE	05/21/08		.XX = ±.03	.130-.249	+ .006/- .001	
				.XXX = ±.01	.250-.484	+ .008/- .001		
				.XXXX = ±.005	.485-.734	+ .010/- .001		
					.735-.984	+ .012/- .001		
						.985 AND UP	± .010	
							DO NOT SCALE DRAWING	
ALL DESIGN, OPERATIVE AND PROCESS DATA PERTAINING TO THE ARTICLE SHOWN ON THIS SHEET IS THE PROPERTY OF POLYPHASER. THE INFORMATION IS NOT TO BE COPIED, REPRODUCED, REVEALED TO OR APPROPRIATED BY OTHERS WITHOUT THE WRITTEN CONSENT OF POLYPHASER CORPORATION.				SCALE	PAGE	FILE TAG	CAGE CODE	
				1/1	1 OF 1	-C1	61114	