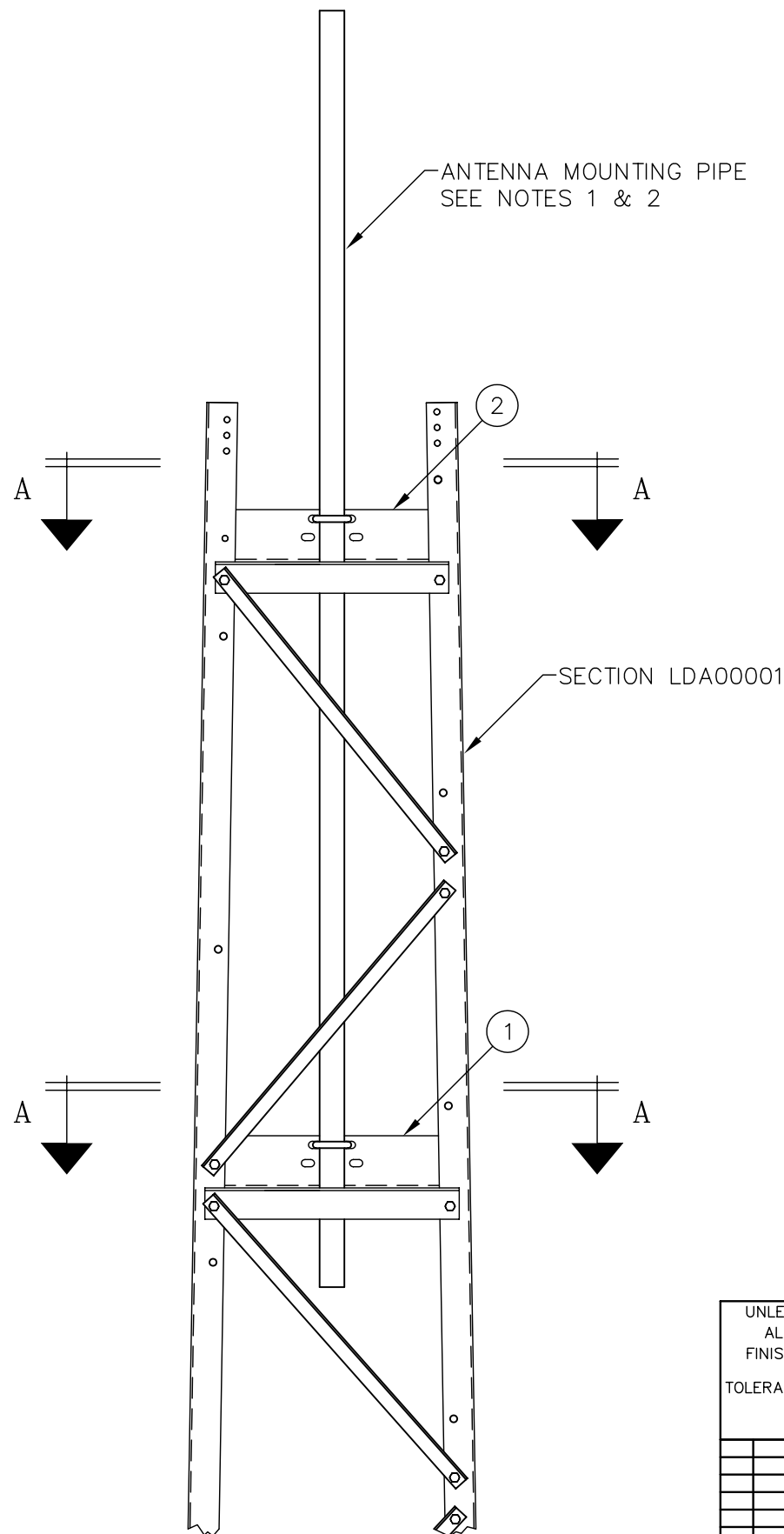




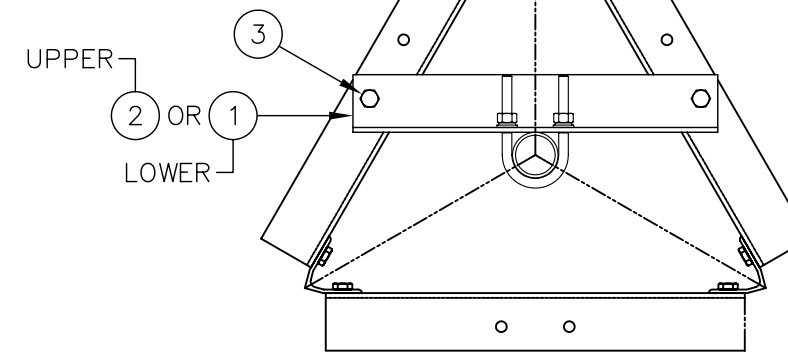
LIST OF MATERIAL

ITEM	QTY.	PART NO.	DESCRIPTION	WEIGHT
1.	1	CS02283	ANGLE, 4 X 3 X 1/4 X 1'-0 1/2	6
2.	1	CS02284	ANGLE, 4 X 3 X 1/4 X 0'-11 1/2	6
3.	4	C40026003	BOLT ASSEMBLY, 1/2 Ø X 1 1/2 A325	1
TOTAL WEIGHT				13



ELEVATION VIEW

TOWER HORIZONTAL BRACING (SUPPLIED W/SECTION) TOWER HORIZONTAL BRACING (SUPPLIED W/SECTION)



SECTION A-A

NOTES:

1. THIS ASSEMBLY WILL MOUNT 1.9" O.D. THRU 4 1/2" O.D. PIPES.
2. MOUNTING PIPE AND U-BOLTS TO BE ORDERED SEPARATELY.

UNLESS OTHERWISE SPECIFIED
ALL DIMENSIONS INCLUDE
FINISHES AND ARE IN INCHES
TOLERANCES: FRACTIONS ± 1/16"
ANGLES ± 1/2 DEG.
DECIMALS ± .010"

MATERIAL:
TOLERANCES DO NOT APPLY
TO RAW MATERIAL



CONFIDENTIAL
This document and the information contained herein is the confidential trade secret property of Sabre Communications Corporation ("Sabre") and must not be reproduced, copied or used, in whole or in part, for any purpose without the prior written consent of Sabre.
© 2010 Sabre Communications Corporation. All rights reserved.

MODEL S3A SERIES LDA
ANTENNA TOP MOUNT
SECTION 01

REV	DATE	DRWCHK	DESCRIPTION

DATE	03/18/10	SIZE	B	DRAWING NO.	C30906021	REV	0
DRAWN BY	WRF	SCALE		PAGE		None	
CHECKED BY	KLE	None		1 OF 1		None	