

REVISIONS				
REV.	DESCRIPTION	ECN	DATE	APPROVED
D	REFER TO ECN	11901	7/30/13	KCB

CHARACTERISTICS

APPLICATION:

USED WHERE DC VOLTAGE IS REQUIRED
 IDEAL FOR POINT TO POINT RADIOS USED IN BACKHAUL
 WEATHERIZED, FLANGE OR BULKHEAD MOUNT

FREQUENCY RANGE:

RF: 40MHz TO 400MHz
 RETURN LOSS: ≥ 26 dB
 INSERTION LOSS: ≤ 0.25 dB
 TELEMETRY: 1.75 TO 5MHz
 RETURN LOSS: ≥ 14 dB
 INSERTION LOSS: ≤ 0.40 dB
 TELEMETRY: 5MHz TO 25MHz
 RETURN LOSS: ≥ 26 dB
 INSERTION LOSS: ≤ 0.25 dB
 RF POWER:

100W RMS MAX

USER VOLTAGE:

± 60 Vdc, ± 65 Vdc MAX TEMPORARY

USER CURRENT:

4.0 ADC CONTINUOUS

DC RESISTANCE:

$\leq 0.15\Omega$

DC TURN-ON (BREAKDOWN):

± 66 Vdc

TURN ON TIME:

4ns FOR 2kV/ns

MAX. SURGE:

20kA IEC 61000-4-5 8/20 μ s WAVEFORM

THROUGHPUT ENERGY:

≤ 2.5 mJ FOR 3kA, 8/20 μ s WAVEFORM

RELATIVE HUMIDITY:

TO 95%

ENVIRONMENTAL:

IEC 60529 IP67

MEETS BELL CORE #TA-NWT-000487

PROCEDURE 4.11, WIND DRIVEN (120MPH)

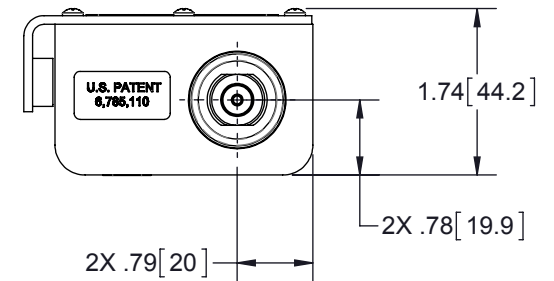
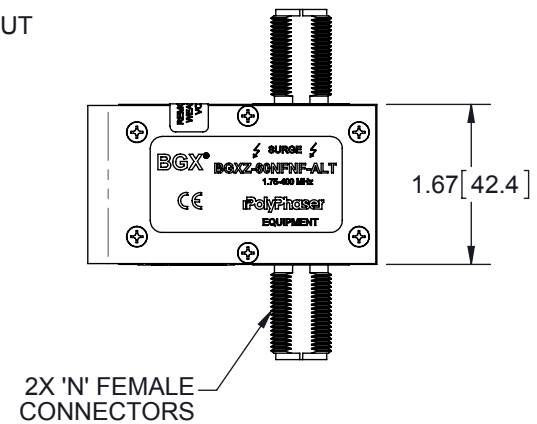
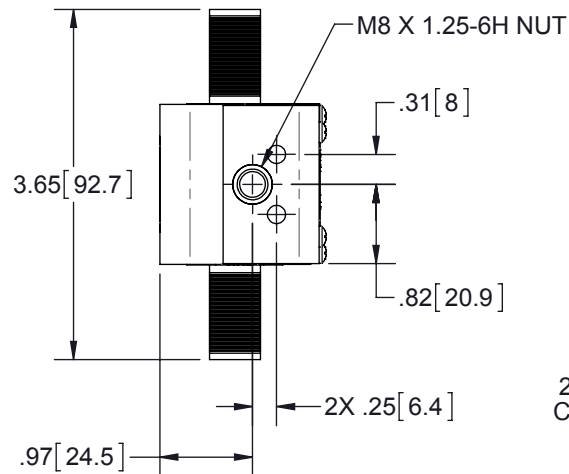
RAIN INTRUSION TEST.

TEMPERATURE:

-50°C TO +85°C STORAGE/OPERATING

CE COMPLIANT

RoHS COMPLIANT



CUSTOMER APPROVAL: _____ DATE: _____

ALL DIMENSIONS SHOWN ARE FOR REFERENCE ONLY.

<small>UNLESS OTHERWISE SPECIFIED LEADING DIMENSIONS ARE INCHES DIMENSIONS IN [] ARE MILLIMETERS</small> TOLERANCES: FRACTIONS = $\pm 1/32$ XX = $\pm .03$ ANGLES = $\pm 1^\circ$ XXX = $\pm .010$ <small>NOTICE: THE INFORMATION AND DESIGN IN THIS DOCUMENT IS THE PROPERTY OF POLYPHASER CORPORATION. ALL RIGHTS RESERVED.</small>	DRAWN S. HALL	DATE 6/4/08			SHEET 1 OF 1		
	ENG APPD R. DUNNING	7/2/08			SCALE 1:2		
	PRODUCT MGR K. BARTEL	7/1/08			TITLE 1.75-400MHz +/-60V N CONN CUSTOMER SPECIFICATION		
	MARKETING APPD W. OKEEFE	7/2/08					
THIRD-ANGLE PROJECTION 	PROJECT NO.	DOCUMENT NAME 1400-789	SIZE A	CAGE 61114	PROD CAT RFP	PART NUMBER BGXZ-60NFNF-ALT	REV C

THESE COMMODITIES, TECHNOLOGY OR SOFTWARE WERE EXPORTED FROM THE UNITED STATES IN ACCORDANCE WITH THE EXPORT ADMINISTRATION REGULATIONS. DIVERSION CONTRARY TO U.S. LAW PROHIBITED.